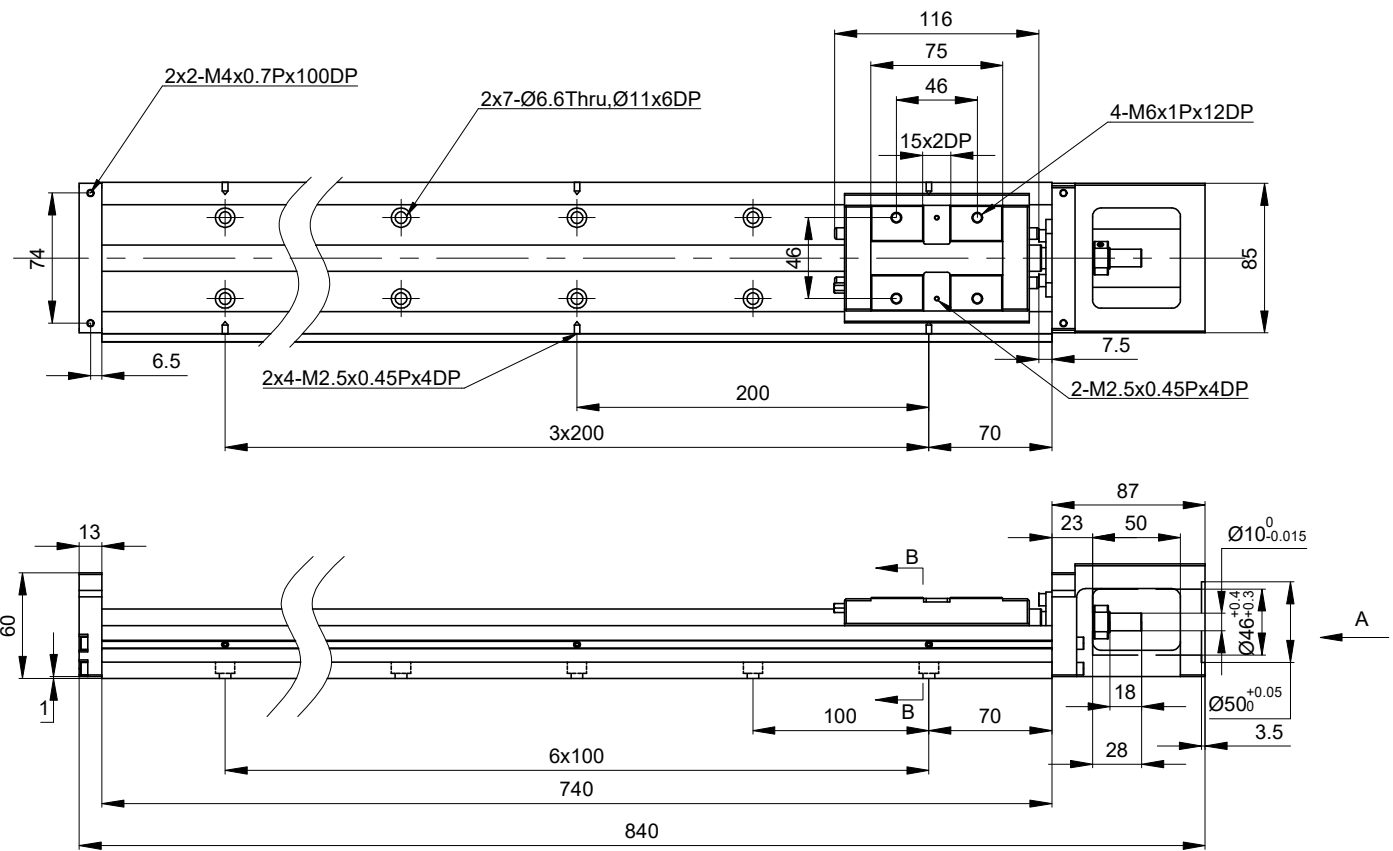
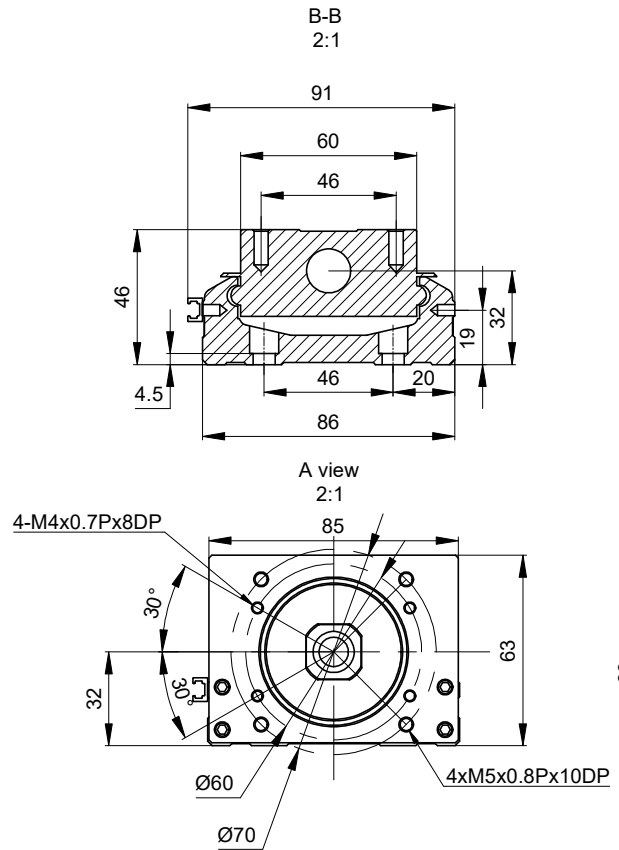


CUSTOMER'S MODEL: NO MODEL
 END COVER COLOR: GREY

REV.	REVISION RECORD	BY	DATE
0	ORIGIN	LJ	3.9.2026



STROKE LENGTH(mm)	616	
POSITION ACCURACY (mm)	±0.01	
BALL SCREW LEAD (mm)	10.00	
MAXIMUM SPEED (mm/s)	460.00	
MAXIMUM PAYLOAD(kg)	HORIZONTAL	40
	VERTICAL	12
RATED THRUST (N)	694	
BALL SCREW DIAMETER (mm)	C7/Ø15	
ORIGIN SENSOR	--	
INPUT SHAFT LENGTH (mm)	--	
INPUT SHAFT DIAMETER (mm)	--	
WEIGHT(Kg)[lb]	10.4[22.92]	

THIS DOCUMENT SHALL NOT BE REPRODUCED NOR SHALL THE INFORMATION CONTAINED HEREIN BE USED BY OR DISCLOSED TO OTHERS UNLESS EXPRESSLY AUTHORIZED IN BY WRITING STEPPERONLINE.

DIMENSIONS ARE IN MILLIMETERS.
 TOLERANCES AS BELOW:
 DECIMALS ANGLES
 X ±0.5 ±2°
 X.X ±0.25
 X.XX ±0.13

THIRD ANGLE PROJECTION		
SIGNATURE		DATE
DRN	LJ	3.9.2026
APVD	MYX	3.9.2026

STEPPERONLINE®

STEPPER MOTOR LINEAR ACTUATOR

LK2A86-60DL10S0-616

REV.	0	SCALE	1:4	DWG NO.	A5911
------	---	-------	-----	---------	-------