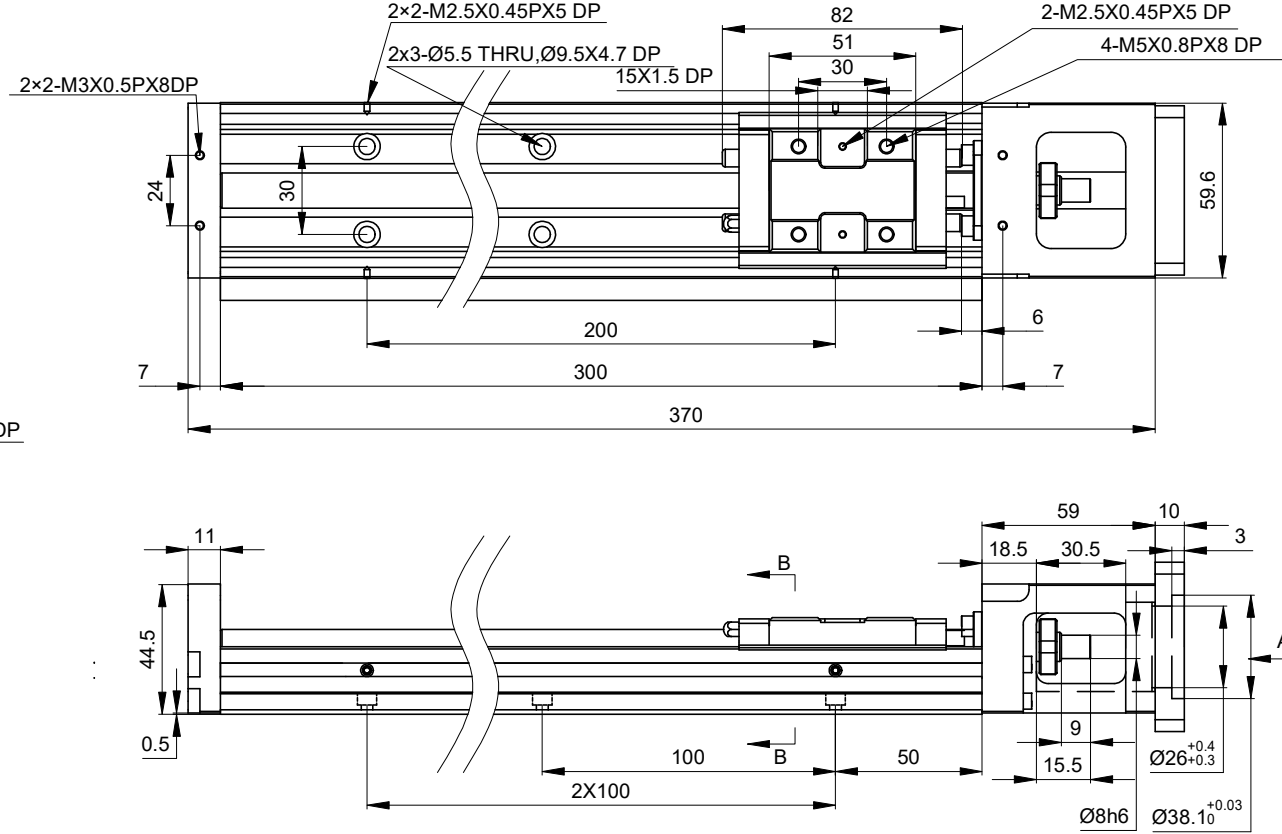
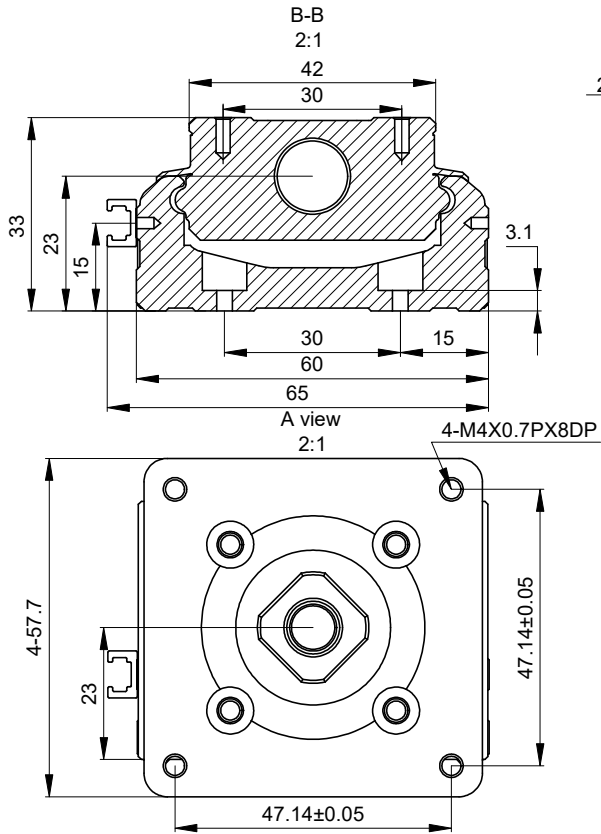


MODEL NO. LK2A60-23DL100-210 DWG NO. A5937

CUSTOMER'S MODEL: NO MODEL
END COVER COLOR: GREY

REV.	REVISION RECORD	BY	DATE
0	ORIGIN	MYX	3.9.2026



STROKE LENGTH(mm)		210
POSITION ACCURACY (mm)		±0.01
BALL SCREW LEAD (mm)		10.00
MAXIMUM SPEED (mm/s)		800.00
MAXIMUM PAYLOAD(kg)	HORIZONTAL	30.00
	VERTICAL	10.00
RATED THRUST (N)		341.00
BALL SCREW DIAMETER (mm)		C7/Ø12
ORIGIN SENSOR		--
INPUT SHAFT LENGTH (mm)		--
INPUT SHAFT DIAMETER (mm)		--
WEIGHT(Kg)[lb]		2.4[5.29]

THIS DOCUMENT SHALL NOT BE REPRODUCED
NOR SHALL THE INFORMATION CONTAINED
HEREIN BE USED BY OR DISCLOSED TO OTHERS
UNLESS EXPRESSLY AUTHORIZED IN BY WRITING
STEPPERONLINE.

DIMENSIONS ARE IN MILLIMETERS.
TOLERANCES AS BELOW:
DECIMALS ANGLES
X ±0.5 ±2°
X.X ±0.25
X.XX ±0.13

THIRD ANGLE PROJECTION		⊕
SIGNATURE		DATE
DRN	MYX	3.9.2026
APVD	LJ	3.9.2026

STEPPERONLINE®

STEPPER MOTOR LINEAR ACTUATOR

LK2A60-23DL100-210

REV.	0	SCALE	1:4	DWG NO.	A5937
------	---	-------	-----	---------	-------