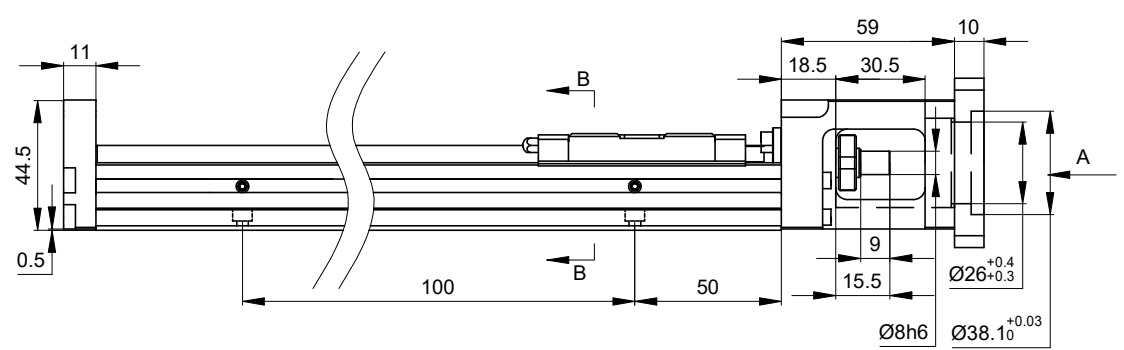
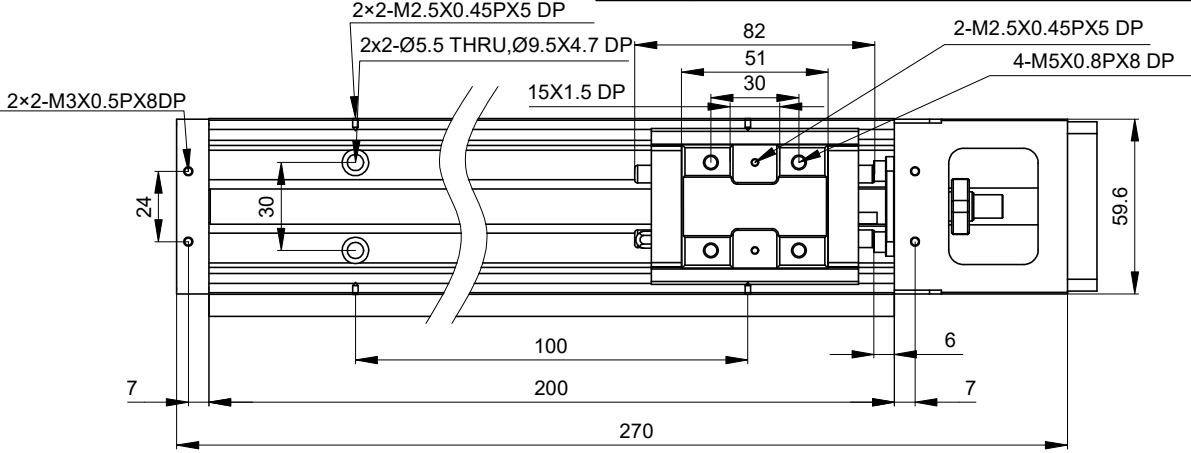
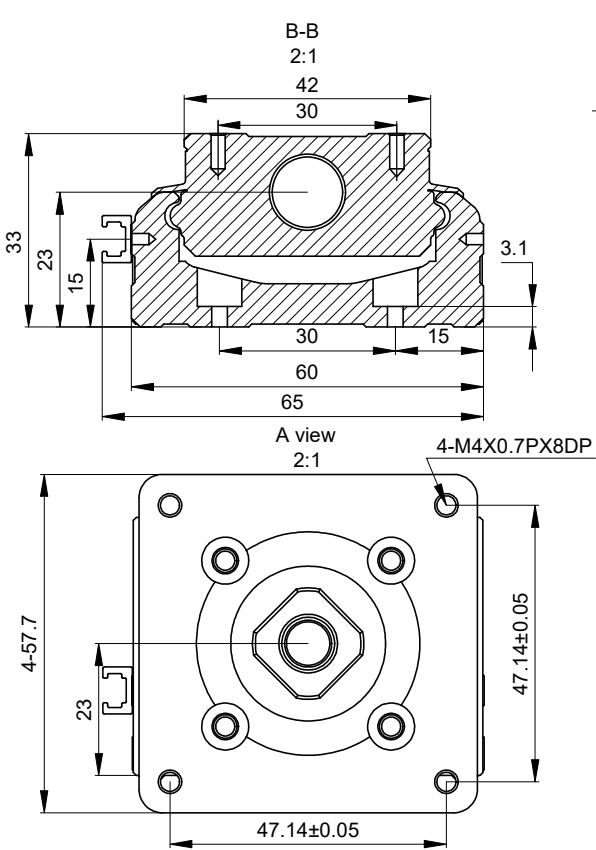


MODEL NO. LK2A60-23DL100-110 DWG NO. A5936

CUSTOMER'S MODEL: NO MODEL  
END COVER COLOR: GREY

REV.	REVISION RECORD	BY	DATE
0	ORIGIN	MYX	3.9.2026



STROKE LENGTH(mm)	110	
POSITION ACCURACY (mm)	±0.01	
BALL SCREW LEAD (mm)	10.00	
MAXIMUM SPEED (mm/s)	800.00	
MAXIMUM PAYLOAD(kg)	HORIZONTAL	30.00
	VERTICAL	10.00
RATED THRUST (N)	341.00	
BALL SCREW DIAMETER (mm)	C7/Ø12	
ORIGIN SENSOR	--	
INPUT SHAFT LENGTH (mm)	--	
INPUT SHAFT DIAMETER (mm)	--	
WEIGHT(Kg)[lb]	1.8[3.97]	

THIS DOCUMENT SHALL NOT BE REPRODUCED NOR SHALL THE INFORMATION CONTAINED HEREIN BE USED BY OR DISCLOSED TO OTHERS UNLESS EXPRESSLY AUTHORIZED IN BY WRITING STEPPERONLINE.

DIMENSIONS ARE IN MILLIMETERS. TOLERANCES AS BELOW:  
 DECIMALS ANGLES  
 X ±0.5 ±2°  
 X.X ±0.25  
 X.XX ±0.13

THIRD ANGLE PROJECTION		
SIGNATURE		DATE
DRN	MYX	3.9.2026
APVD	LJ	3.9.2026

**STEPPERONLINE®**

**STEPPER MOTOR LINEAR ACTUATOR**

LK2A60-23DL100-110

REV.	0	SCALE	1:4	DWG NO.	A5936
------	---	-------	-----	---------	-------