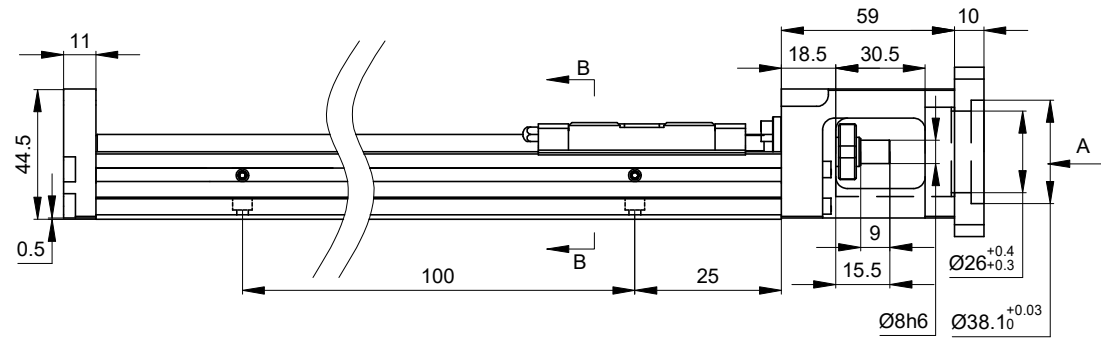
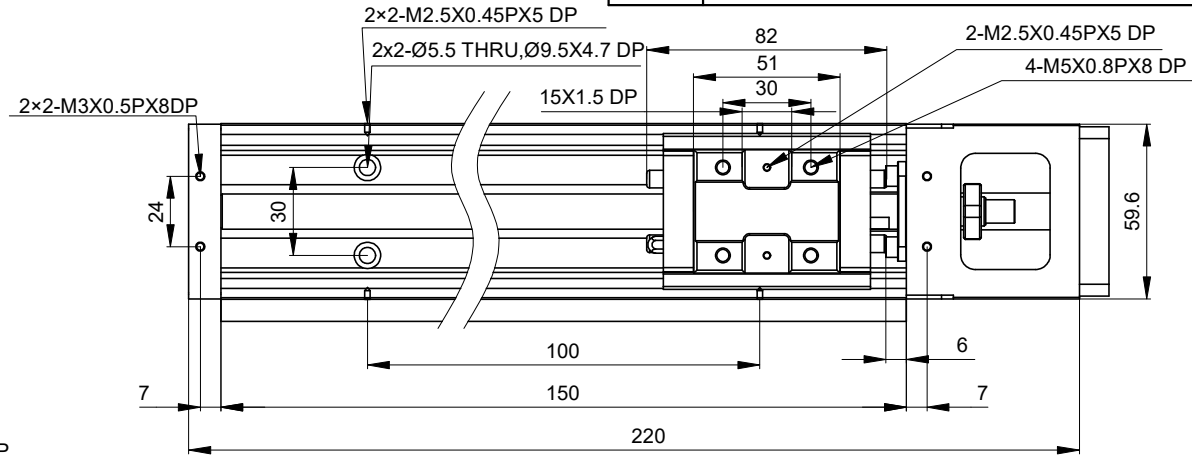
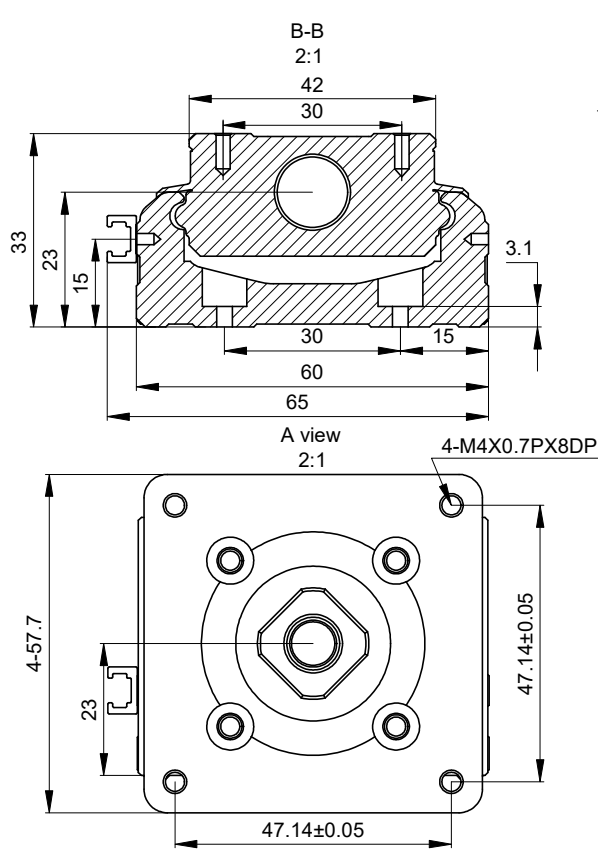


REV.	REVISION RECORD	BY	DATE
0	ORIGIN	MYX	3.9.2026

CUSTOMER'S MODEL: NO MODEL
 END COVER COLOR: GREY



STROKE LENGTH(mm)	60	
POSITION ACCURACY (mm)	±0.01	
BALL SCREW LEAD (mm)	5.00	
MAXIMUM SPEED (mm/s)	800.00	
MAXIMUM PAYLOAD(kg)	HORIZONTAL	30.00
	VERTICAL	10.00
RATED THRUST (N)	341.00	
BALL SCREW DIAMETER (mm)	C7/Ø12	
ORIGIN SENSOR	--	
INPUT SHAFT LENGTH (mm)	--	
INPUT SHAFT DIAMETER (mm)	--	
WEIGHT(Kg)[lb]	1.5[3.31]	

THIS DOCUMENT SHALL NOT BE REPRODUCED
 NOR SHALL THE INFORMATION CONTAINED
 HEREIN BE USED BY OR DISCLOSED TO OTHERS
 UNLESS EXPRESSLY AUTHORIZED IN BY WRITING
 STEPPERONLINE.

DIMENSIONS ARE IN MILLIMETERS.
 TOLERANCES AS BELOW:
 DECIMALS ANGLES
 X ±0.5 ±2°
 X.X ±0.25
 X.XX ±0.13

THIRD ANGLE PROJECTION		
SIGNATURE		DATE
DRN	MYX	3.9.2026
APVD	LJ	3.9.2026

STEPPERONLINE®

STEPPER MOTOR LINEAR ACTUATOR

LK2A60-23DL050-060

REV.	0	SCALE	1:4	DWG NO.	A6062
------	---	-------	-----	---------	-------