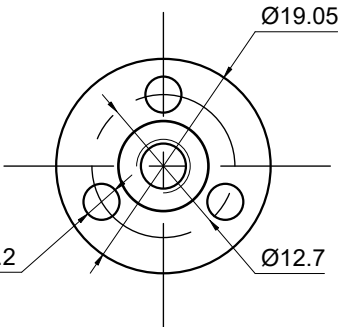
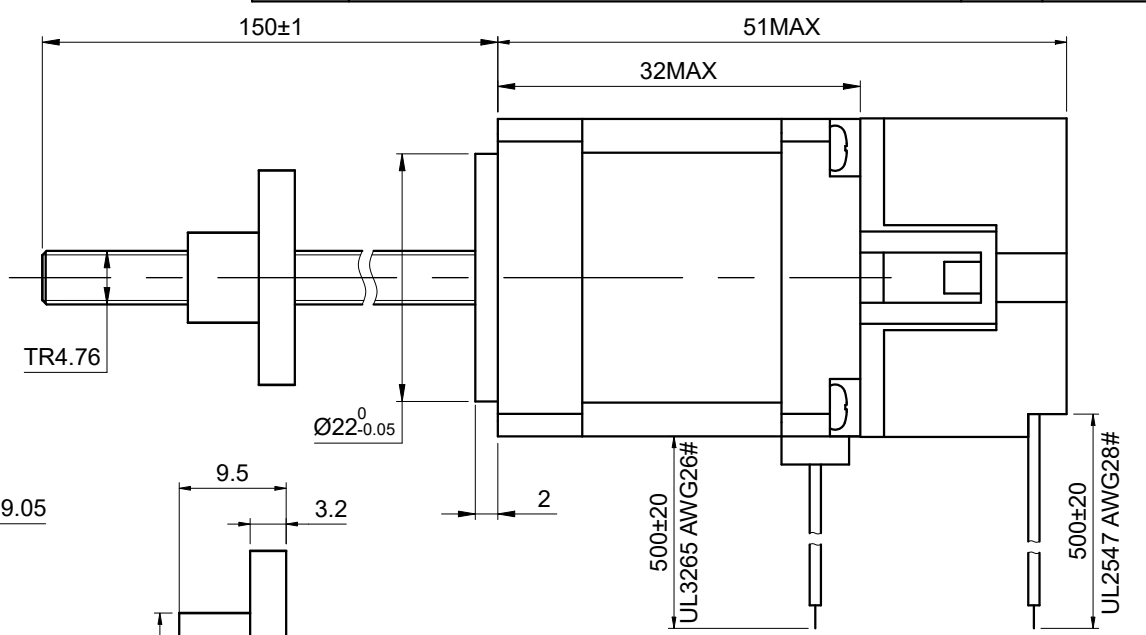
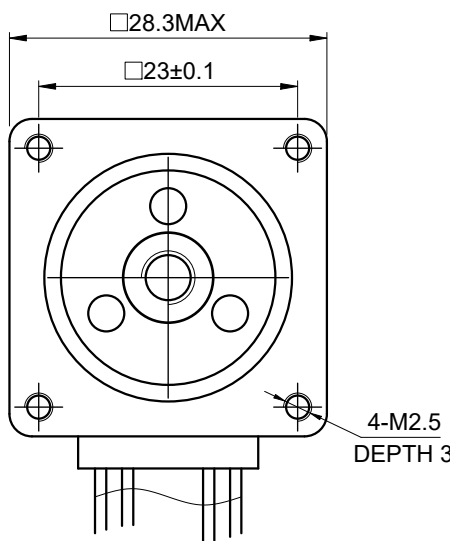


REV.	REVISION RECORD	BY	DATE
0	ORIGIN	ZPJ	10.9.2025

CUSTOMER'S MODEL: NO MODEL  
 END COVER COLOR: BLACK



LINEAR ACTUATOR  
 11E13S1004FD4-150RS-OE1K  
 S/N: XXXXXXXXXXXXX



MOTOR CONNECTION			
PIN NO	BIPOLAR	LEADS	WINDING
1	A+	RED	
2	A-	RED/WHT	
3	B+	GRN	
4	B-	GRN/WHT	

SPECIFICATION	CONNECTION	BIPOLAR
AMPS/PHASE		1.00
RESISTANCE/PHASE(Ohms)@25°C		2.10±10%
INDUCTANCE/PHASE(mH)@1KHz		1.50±20%
HOLDING TORQUE(Nm)[lb-in]		0.06[0.53]
STEP ANGLE(°)		1.80
STEP ACCURACY(NON-ACCUM)		±5.00%
LEAD(mm)		1.27
LINEAR TRAVEL/STEP(mm)		0.00635
AMBIENT TEMPERATURE		-10°C~50°C[14°F~122°F]
INSULATION CLASS		B 130°C[266°F]
TEMPERATURE RISE		MAX.80°C
AMBIENT HUMIDITY		MAX.85%

COMMENT:  
 1.TMBF 6000h OR MORE @ 24V/300RPM  
 2.INSULATION RESISTANCE (NORMAL TEMPERATURE AND HUMIDITY): 100 Mohm  
 3.DIELECTRIC STRENGTH 500VAC FOR 1MIN.(BETWEEN THE MOTOR COILS AND THE MOTOR CASE )

STEP	FULL STEP 2 PHASE-Ex.,WHEN FACING MOUNTING END (X)				CCW	CW
	A+	B+	A-	B-		
1	+	+	-	-		
2	-	+	+	-		
3	-	-	+	+		
4	+	-	-	+		

DIMENSIONS ARE IN MILLIMETERS.  
 TOLERANCES AS BELOW:  
 DECIMALS ANGLES  
 X ±0.5 ±2°  
 X.X ±0.25  
 X.XX ±0.13

THIRD ANGLE PROJECTION

ENCODER RESOLUTION:1000PPR(4000CPR)									
LEAD COLOR	RED	BLK	WHT	BLU	GRN	BRN	YEL	PUE	BLK
DESCRIPTION	VCC	GND	EA+	EA-	EB+	EB-	EZ+	EZ-	SHIELD

**STEPPERONLINE®**

**STEPPER MOTOR**

**11E13S1004FD4-150RS-OE1K**

REV.	0	SCALE	1:1	DWG NO.	A3246
------	---	-------	-----	---------	-------

SIGNATURE		DATE
DRN	ZPJ	10.9.2025
APVD	LJ	10.9.2025