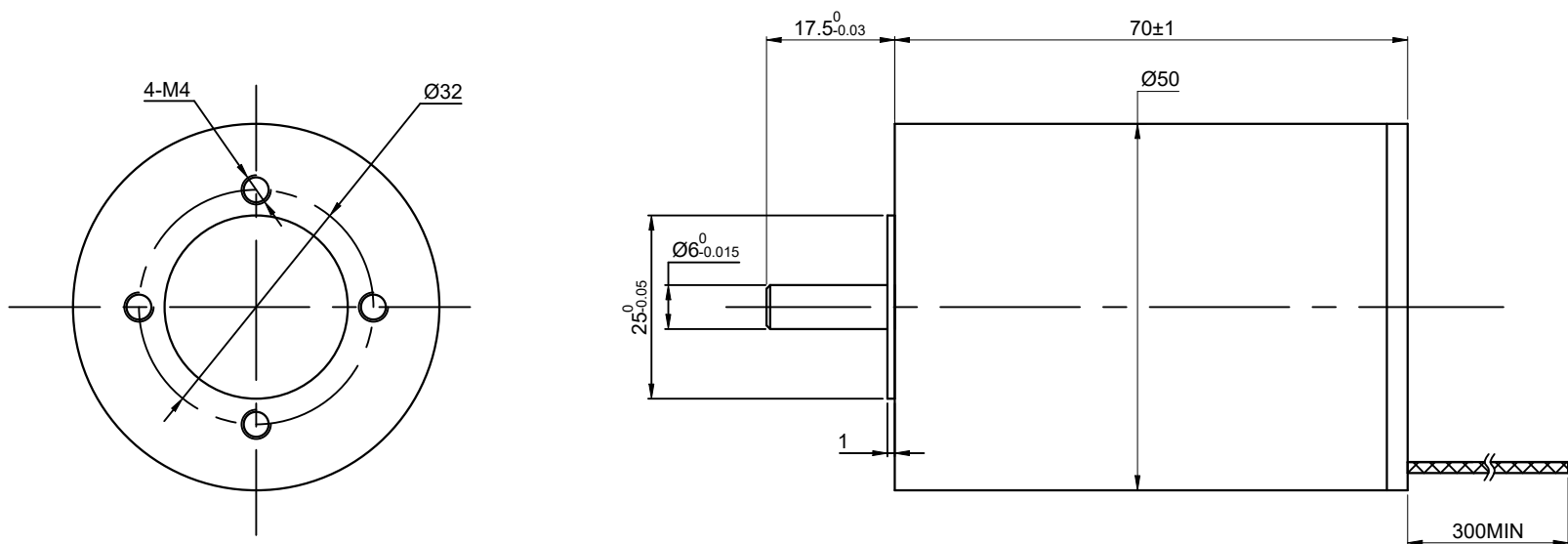


CUSTOMER'S MODEL: NO MODEL  
 END COVER COLOR: BLACK

REV.	REVISION RECORD	BY	DATE
0	ORIGIN	LDJ	8.13.2025



SPECIFICATION	VALUE
RATED VOLTAGE(V)	28
TERMINAL RESISTANCE(Ohms)	0.64
TERMINAL INDUCTANCE(mH)	0.18
NO LOAD SPEED(RPM)	5300
NO LOAD CURRENT(A)	0.25
RATED SPEED(RPM)	3500
RATED CURRENT(A)	6.06
RATED TORQUE(mNm)	304
RATED POWER(W)	111
THE GREATEST POWER OUTPUT(W)	302.76
EFFICIENCY(%)	85.45
TORQUE CONSTANT (mNm/A)	50.16
STALL TORQUE (mNm)	2182.00
BACK-EMF CONSTANT (mV/RPM)	5.25
SPEED CONSTANT (RPM/V)	190.37
FRICTION TORQUE (mNm)	12.54
CURRENT CONSTANT (A/mNm)	0.02

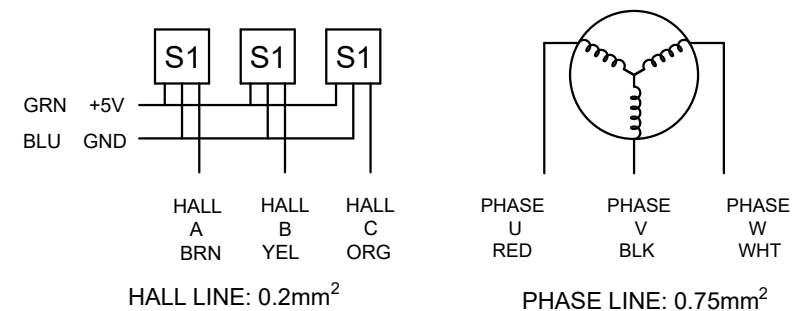
1. OPERATING TEMPERATURE RANGE:  
 -50°C~80°C[-58°F~176°F]

2. WINDING MAX PERMISSIBLE:  
 180°C[356°F]

3. NO. of POLES: 2

DIMENSIONS ARE IN MILLIMETERS.  
 TOLERANCES AS BELOW:  
 DECIMALS ANGLES  
 X ±0.5 ±2°  
 X.X ±0.25  
 X.XX ±0.13

THIRD ANGLE PROJECTION



**STEPPERONLINE®**

**BRUSHLESS DC MOTOR**

**50CL70-28-P2-3500**

REV.	0	SCALE	1:1	DWG NO.	A4903
------	---	-------	-----	---------	-------

THIS DOCUMENT SHALL NOT BE REPRODUCED NOR SHALL THE INFORMATION CONTAINED HEREIN BE USED BY OR DISCLOSED TO OTHERS UNLESS EXPRESSLY AUTHORIZED IN BY WRITING STEPPERONLINE.		SIGNATURE	DATE
DRN	LDJ	8.13.2025	
APVD	MYX	8.13.2025	