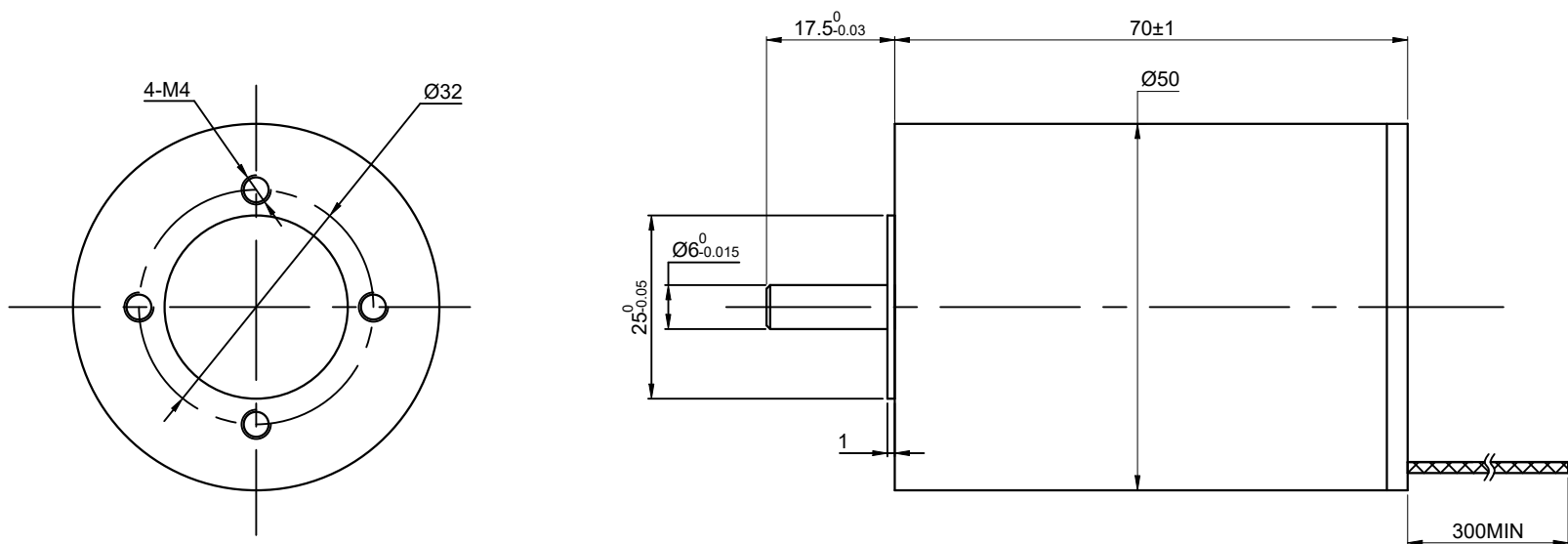


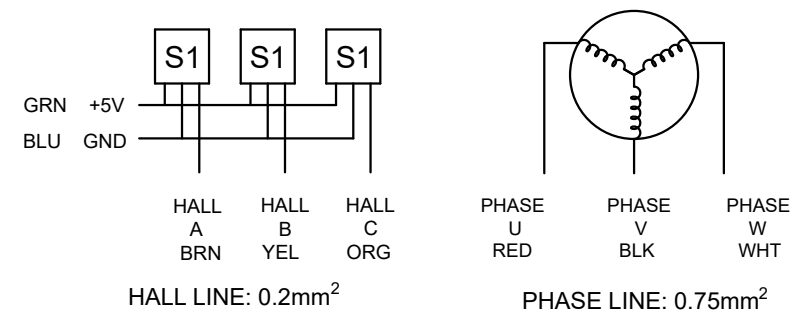
CUSTOMER'S MODEL: NO MODEL  
 END COVER COLOR: BLACK

REV.	REVISION RECORD	BY	DATE
0	ORIGIN	LDJ	8.13.2025



SPECIFICATION	VALUE
RATED VOLTAGE(V)	24
TERMINAL RESISTANCE(Ohms)	0.32
TERMINAL INDUCTANCE(mH)	0.09
NO LOAD SPEED(RPM)	9000
NO LOAD CURRENT(A)	0.35
RATED SPEED(RPM)	6000
RATED CURRENT(A)	11.99
RATED TORQUE(mNm)	304
RATED POWER(W)	191
THE GREATEST POWER OUTPUT(W)	445.81
EFFICIENCY(%)	86.80
TORQUE CONSTANT (mNm/A)	25.35
STALL TORQUE (mNm)	1892.08
BACK-EMF CONSTANT (mV/RPM)	2.65
SPEED CONSTANT (RPM/V)	376.76
FRICTION TORQUE (mNm)	8.87
CURRENT CONSTANT (A/mNm)	0.04

1. OPERATING TEMPERATURE RANGE: -50°C~80°C[-58°F~176°F]  2. WIN ING MAX PERMISSIBLE: 180°C[356°F]  3. NO. of POLES: 2	DIMENSIONS ARE IN MILLIMETERS. TOLERANCES AS BELOW: DECIMALS      ANGLES X      ±0.5      ±2° X.X      ±0.25 X.XX      ±0.13	
	THIRD ANGLE PROJECTION	
THIS DOCUMENT SHALL NOT BE REPRODUCED NOR SHALL THE INFORMATION CONTAINED HEREIN BE USED BY OR DISCLOSED TO OTHERS UNLESS EXPRESSLY AUTHORIZED IN BY WRITING STEPPERONLINE.	SIGNATURE	DATE
	DRN      LDJ	8.13.2025
	APVD      MYX	8.13.2025



**STEPPERONLINE®**

**BRUSHLESS DC MOTOR**

**50CL70-24-P2-6000**

REV.	0	SCALE	1:1	DWG NO.	A4902
------	---	-------	-----	---------	-------