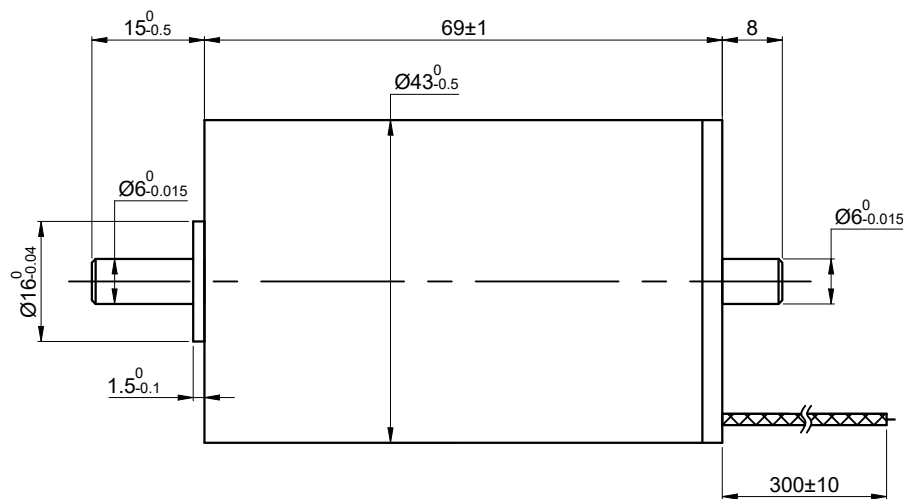
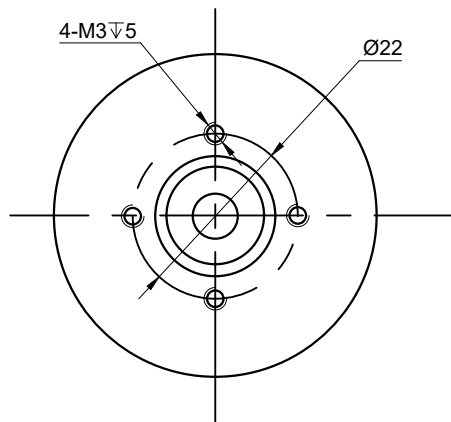


CUSTOMER'S MODEL: NO MODEL
 END COVER COLOR: BLACK

REV.	REVISION RECORD	BY	DATE
0	ORIGIN	LDJ	8.13.2025

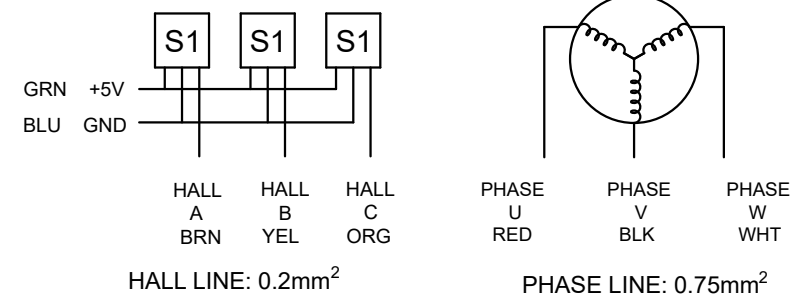


SPECIFICATION	VALUE
RATED VOLTAGE(V)	24
TERMINAL RESISTANCE(Ohms)	0.32
TERMINAL INDUCTANCE(mH)	0.08
NO LOAD SPEED(RPM)	7000
NO LOAD CURRENT(A)	0.45
RATED SPEED(RPM)	5000
RATED CURRENT(A)	6.15
RATED TORQUE(mNm)	200
RATED POWER(W)	104.71
THE GREATEST POWER OUTPUT(W)	444.62
EFFICIENCY(%)	85.11
TORQUE CONSTANT (mNm/A)	32.54
STALL TORQUE (mNm)	2426.16
BACK-EMF CONSTANT (mV/RPM)	3.41
SPEED CONSTANT (RPM/V)	293.43
FRICTION TORQUE (mNm)	14.64
CURRENT CONSTANT (A/mNm)	0.03

1. OPERATING TEMPERATURE RANGE:
 -20°C~80°C[-4°F~176°F]
 2. WINDING MAX PERMISSIBLE:
 180°C[356°F]
 3. NO. of POLES: 2

DIMENSIONS ARE IN MILLIMETERS.
 TOLERANCES AS BELOW:
 DECIMALS ANGLES
 X ±0.5 ±2°
 X.X ±0.25
 X.XX ±0.13

THIRD ANGLE PROJECTION



THIS DOCUMENT SHALL NOT BE REPRODUCED NOR SHALL THE INFORMATION CONTAINED HEREIN BE USED BY OR DISCLOSED TO OTHERS UNLESS EXPRESSLY AUTHORIZED IN BY WRITING STEPPERONLINE.

SIGNATURE		DATE
DRN	LDJ	8.13.2025
APVD	MYX	8.13.2025

STEPPERONLINE®

BRUSHLESS DC MOTOR

43CL70-24-P2-5000

REV.	0	SCALE	1:1	DWG NO.	A4899
------	---	-------	-----	---------	-------