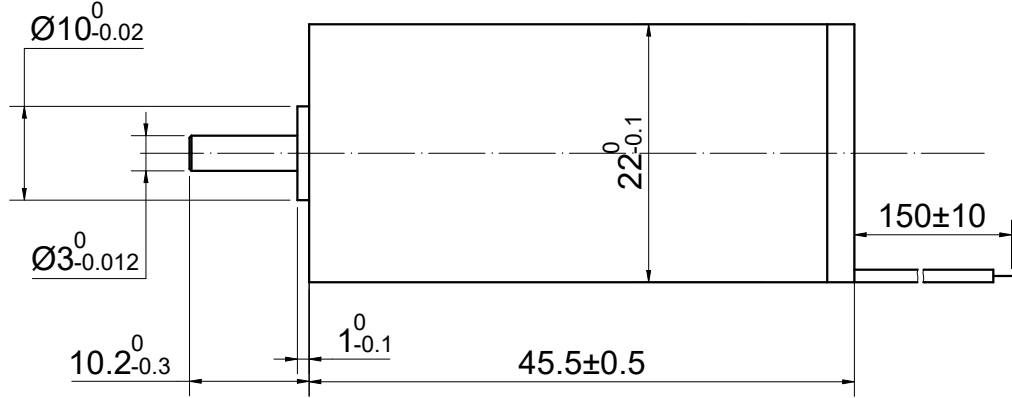
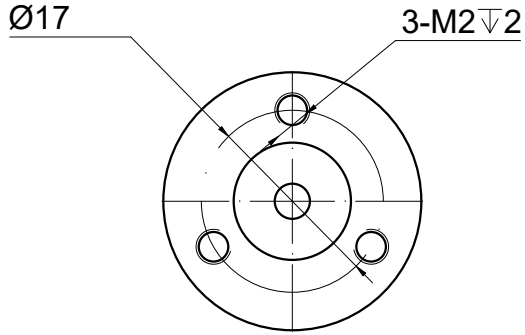


REV.	REVISION RECORD	BY	DATE
0	ORIGIN	LJ	8.12.2025

CUSTOMER'S MODEL: NO MODEL
 END COVER COLOR: BLACK

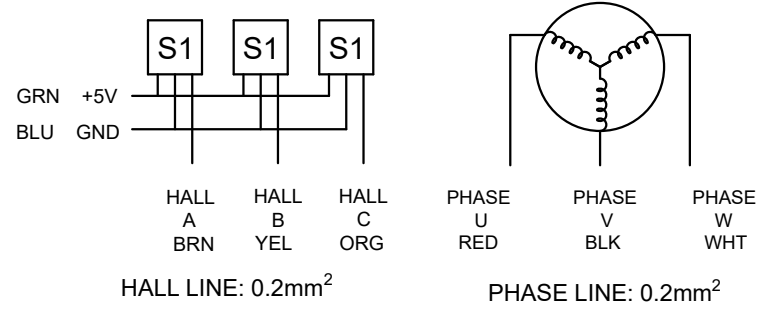


SPECIFICATION	VALUE
RATED VOLTAGE(V)	48
TERMINAL RESISTANCE(Ohms)	6.3
TERMINAL INDUCTANCE(mH)	0.38
NO LOAD SPEED(RPM)	13000
NO LOAD CURRENT(A)	0.09
RATED SPEED(RPM)	10500
RATED CURRENT(A)	0.67
RATED TORQUE(mNm)	23.5
RATED POWER(W)	25.84
THE GREATEST POWER OUTPUT(W)	89.28
EFFICIENCY(%)	79.44
TORQUE CONSTANT (mNm/A)	34.84
STALL TORQUE (mNm)	262.33
BACK-EMF CONSTANT (mV/RPM)	3.65
SPEED CONSTANT (RPM/V)	274.07
FRICTION TORQUE (mNm)	3.14
CURRENT CONSTANT (A/mNm)	0.03

1. OPERATING TEMPERATURE RANGE:
 -20°C~80°C[-4°F~176°F]
 2. WINDING MAX PERMISSIBLE:
 180°C[356°F]
 3. NO. of POLES: 2

DIMENSIONS ARE IN MILLIMETERS.
 TOLERANCES AS BELOW:
 DECIMALS ANGLES
 X ±0.5 ±2°
 X.X ±0.25
 X.XX ±0.13

THIRD ANGLE PROJECTION



THIS DOCUMENT SHALL NOT BE REPRODUCED NOR SHALL THE INFORMATION CONTAINED HEREIN BE USED BY OR DISCLOSED TO OTHERS UNLESS EXPRESSLY AUTHORIZED IN BY WRITING STEPPERONLINE.		SIGNATURE		DATE		STEPPERONLINE® BRUSHLESS DC MOTOR 22CL45-48-P2-10500					
		DRN	LJ	8.13.2025							
		APVD	YSX	8.13.2025							
REV.	0	SCALE	1:1	DWG NO.	A4883						