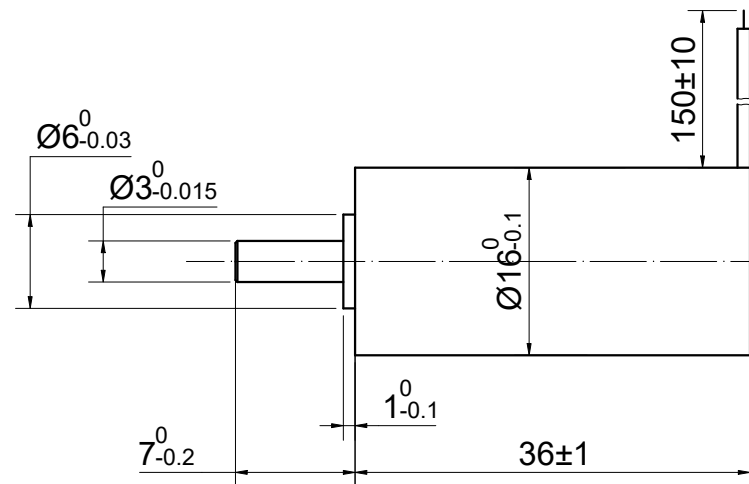
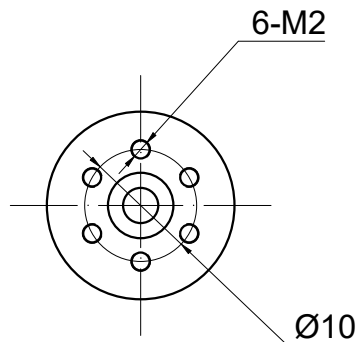


CUSTOMER'S MODEL: NO MODEL  
 END COVER COLOR: BLACK

REV.	REVISION RECORD	BY	DATE
0	ORIGIN	YSX	8.13.2025

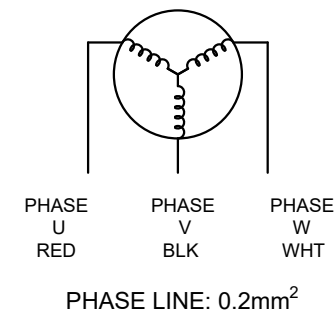


SPECIFICATION	VALUE
RATED VOLTAGE(V)	36
TERMINAL RESISTANCE(Ohms)	5.2
TERMINAL INDUCTANCE(mH)	0.2
NO LOAD SPEED(RPM)	30000
NO LOAD CURRENT(A)	0.1
RATED SPEED(RPM)	19000
RATED CURRENT(A)	0.50
RATED TORQUE(mNm)	5.6
RATED POWER(W)	11.14
THE GREATEST POWER OUTPUT(W)	60.52
EFFICIENCY(%)	77.41
TORQUE CONSTANT (mNm/A)	11.29
STALL TORQUE (mNm)	77.06
BACK-EMF CONSTANT (mV/RPM)	1.18
SPEED CONSTANT (RPM/V)	845.55
FRICTION TORQUE(mNm)	1.13
CURRENT CONSTANT (A/mNm)	0.09

- OPERATING TEMPERATURE RANGE:  
-20°C~80°C[-4°F~176°F]
- WINDING MAX PERMISSIBLE:  
180°C[356°F]
- NO. of POLES: 2

DIMENSIONS ARE IN MILLIMETERS.  
 TOLERANCES AS BELOW:  
 DECIMALS      ANGLES  
 X            ±0.5            ±2°  
 X.X        ±0.25  
 X.XX      ±0.13

THIRD ANGLE PROJECTION



**STEPPERONLINE®**

**BRUSHLESS DC MOTOR**

16CL36-36-P2-19000

THIS DOCUMENT SHALL NOT BE REPRODUCED NOR SHALL THE INFORMATION CONTAINED HEREIN BE USED BY OR DISCLOSED TO OTHERS UNLESS EXPRESSLY AUTHORIZED IN BY WRITING STEPPERONLINE.

SIGNATURE		DATE
DRN	YSX	8.13.2025
APVD	LJ	8.13.2025

REV.	0	SCALE	1:1	DWG NO.	A4891
------	---	-------	-----	---------	-------