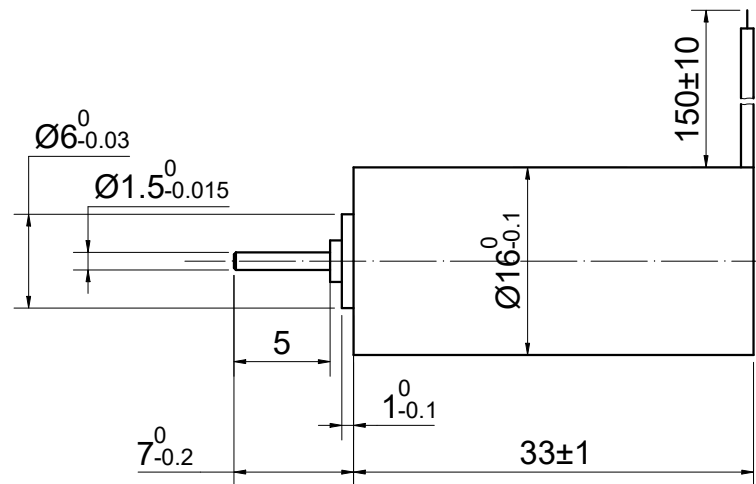
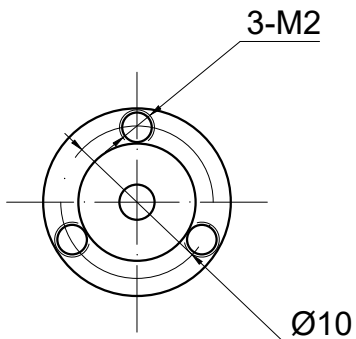


CUSTOMER'S MODEL: NO MODEL
 END COVER COLOR: BLACK

REV.	REVISION RECORD	BY	DATE
0	ORIGIN	YSX	8.13.2025



SPECIFICATION	VALUE
RATED VOLTAGE(V)	24
TERMINAL RESISTANCE(Ohms)	6.7
TERMINAL INDUCTANCE(mH)	0.5
NO LOAD SPEED(RPM)	30000
NO LOAD CURRENT(A)	0.13
RATED SPEED(RPM)	18000
RATED CURRENT(A)	0.53
RATED TORQUE(mNm)	3.88
RATED POWER(W)	7.31
THE GREATEST POWER OUTPUT(W)	19.96
EFFICIENCY(%)	65.53
TORQUE CONSTANT (mNm/A)	7.36
STALL TORQUE (mNm)	25.41
BACK-EMF CONSTANT (mV/RPM)	0.77
SPEED CONSTANT (RPM/V)	1297.07
FRICTION TORQUE (mNm)	0.96
CURRENT CONSTANT (A/mNm)	0.14

1. OPERATING TEMPERATURE RANGE:
 -20°C~80°C[-4°F~176°F]

2. WIN ING MAX PERMISSIBLE:
 180°C[356°F]

3. NO. of POLES: 2

THIS DOCUMENT SHALL NOT BE REPRODUCED
 NOR SHALL THE INFORMATION CONTAINED
 HEREIN BE USED BY OR DISCLOSED TO
 OTHERS UNLESS EXPRESSLY AUTHORIZED IN
 BY WRITING STEPPERONLINE.

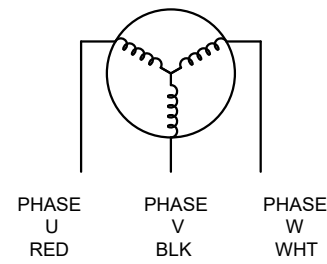
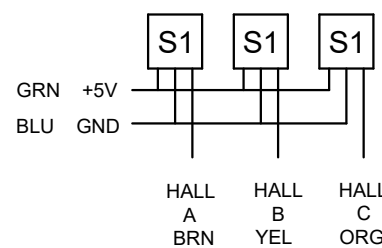
DIMENSIONS ARE IN MILLIMETERS.
 TOLERANCES AS BELOW:
 DECIMALS ANGLES
 X ±0.5 ±2°
 X.X ±0.25
 X.XX ±0.13

THIRD ANGLE
 PROJECTION

SIGNATURE DATE

DRN YSX 8.13.2025

APVD LJ 8.13.2025



HALL LINE: 0.2mm²

PHASE LINE: 0.2mm²

STEPPERONLINE®

BRUSHLESS DC MOTOR

16CL33-24-P2-18000