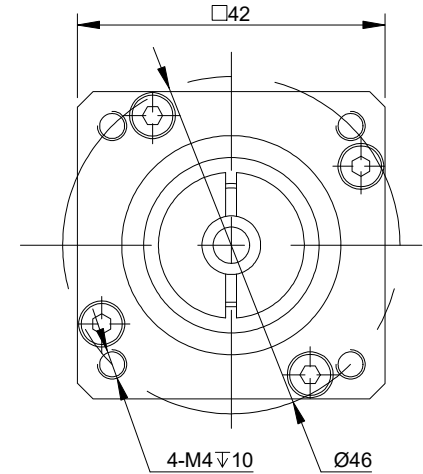
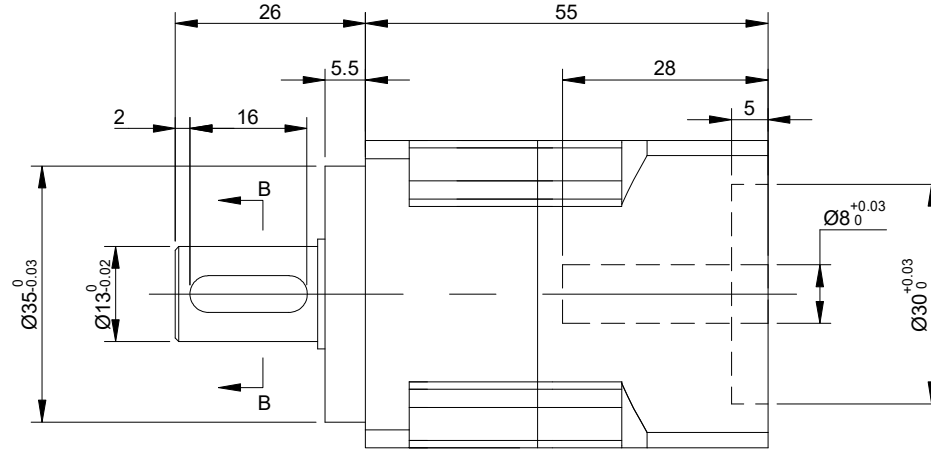
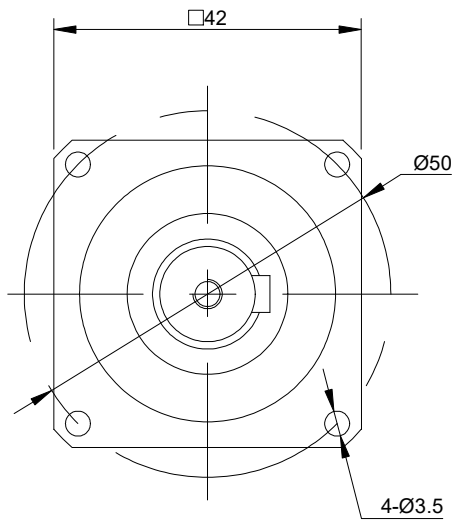
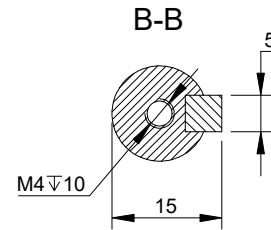


| REV. | REVISION RECORD | BY  | DATE      |
|------|-----------------|-----|-----------|
| 0    | ORIGIN          | LDJ | 6.26.2025 |



| SPECIFICATION                                    | CONNECTION | VALUE                  |
|--|------------|------------------------|
| GEAR RATIO                                       |            | 5                      |
| EFFICIENCY                                       |            | 97%                    |
| BACKLASH@NO-LOAD(arcmin)                         |            | <=3                    |
| MAX.PERMISSIBLE TORQUE(Nm)[lb-in]                |            | 15.00[132.76]          |
| MOMENT PERMISSIBLE TORQUE(Nm)[lb-in]             |            | 30.00[265.52]          |
| SHAFT MAXIMUM AXIAL LOAD(N)                      |            | 390                    |
| SHAFT MAXIMUM RADIAL LOAD(N)                     |            | 780                    |
| GEARBOX MATCHING MOTOR'S INPUT SHAFT LENGTH (mm) |            | MAX 28                 |
| RATED INPUT SPEED(RPM)                           |            | 3000                   |
| MAX. INPUT SPEED(RPM)                            |            | 6000                   |
| NOISE(dB)  |            | <=58                   |
| WATERPROOF RATING                                |            | IP65                   |
| LIFE(h)  |            | 20000                  |
| WORKING TEMPERATURE                              |            | -20°C~90°C[-4°F~194°F] |



DIMENSIONS ARE IN MILLIMETERS.  
TOLERANCES AS BELOW:  
DECIMALS ANGLES  
X ±0.5 ±2°  
X.X ±0.25  
X.XX ±0.13

|                        |           |
|------------------------|-----------|
| THIRD ANGLE PROJECTION |           |
| SIGNATURE              | DATE      |
| DRN LDJ                | 6.26.2025 |
| APVD ZPJ               | 6.26.2025 |

**STEPPERONLINE®**

**HELICAL PLANETARY GEARBOX**

**HTG40-G5**

|      |   |       |     |         |       |
|------|---|-------|-----|---------|-------|
| REV. | 0 | SCALE | 2:3 | DWG NO. | A4689 |
|------|---|-------|-----|---------|-------|