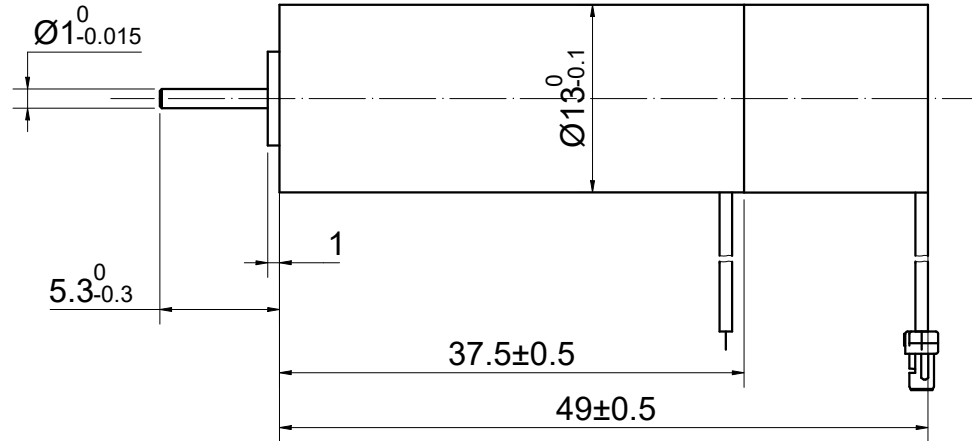
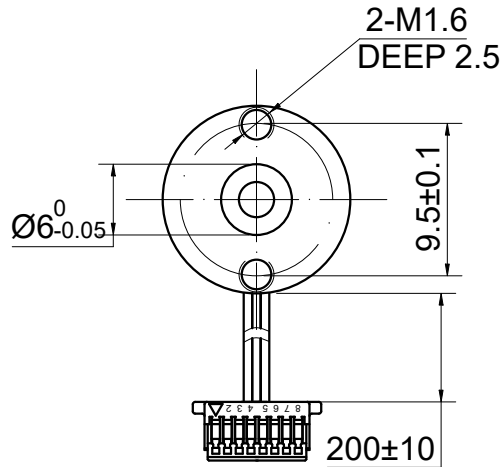


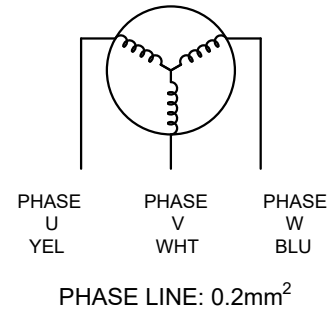
REV.	REVISION RECORD	BY	DATE
0	ORIGIN	YSX	8.13.2025

CUSTOMER'S MODEL: NO MODEL
 END COVER COLOR: BLACK



SPECIFICATION	VALUE
RATED VOLTAGE(V)	24
TERMINAL RESISTANCE(Ohms)	5.5
TERMINAL INDUCTANCE(mH)	0.25
NO LOAD SPEED(RPM)	26000
NO LOAD CURRENT(A)	0.1
RATED SPEED(RPM)	23800
RATED CURRENT(A)	0.36
RATED TORQUE(mNm)	3.11
RATED POWER(W)	7.75
THE GREATEST POWER OUTPUT(W)	25.00
EFFICIENCY(%)	72.02
TORQUE CONSTANT (mNm/A)	8.61
STALL TORQUE (mNm)	36.72
BACK-EMF CONSTANT (mV/RPM)	0.90
SPEED CONSTANT (RPM/V)	1108.74
FRICTION TORQUE (mNm)	0.86
CURRENT CONSTANT (A/mNm)	0.12

ENCODER (1024PPR) AWG32 JST SUHR-08V-S-B 8P 0.08mm								
PIN NO.	8	7	6	5	4	3	2	1
DESCRIPTION	VCC	GND	EA+	EB+	EZ+	EA-	EB-	EZ-



1. OPERATING TEMPERATURE RANGE: -20°C~80°C[-4°F~176°F]
 2. WIN ING MAX PERMISSIBLE: 180°C[356°F]
 3. NO. of POLES: 2

DIMENSIONS ARE IN MILLIMETERS.
 TOLERANCES AS BELOW:
 DECIMALS ANGLES
 X ±0.5 ±2°
 X.X ±0.25
 X.XX ±0.13

THIRD ANGLE PROJECTION

THIS DOCUMENT SHALL NOT BE REPRODUCED NOR SHALL THE INFORMATION CONTAINED HEREIN BE USED BY OR DISCLOSED TO OTHERS UNLESS EXPRESSLY AUTHORIZED IN BY WRITING STEPPERONLINE.

STEPPERONLINE®

BRUSHLESS DC MOTOR

13CL38-24-P2-23800

REV.	0	SCALE	1:1	DWG NO.	A4884
------	---	-------	-----	---------	-------

SIGNATURE		DATE
DRN	YSX	8.13.2025
APVD	LJ	8.13.2025