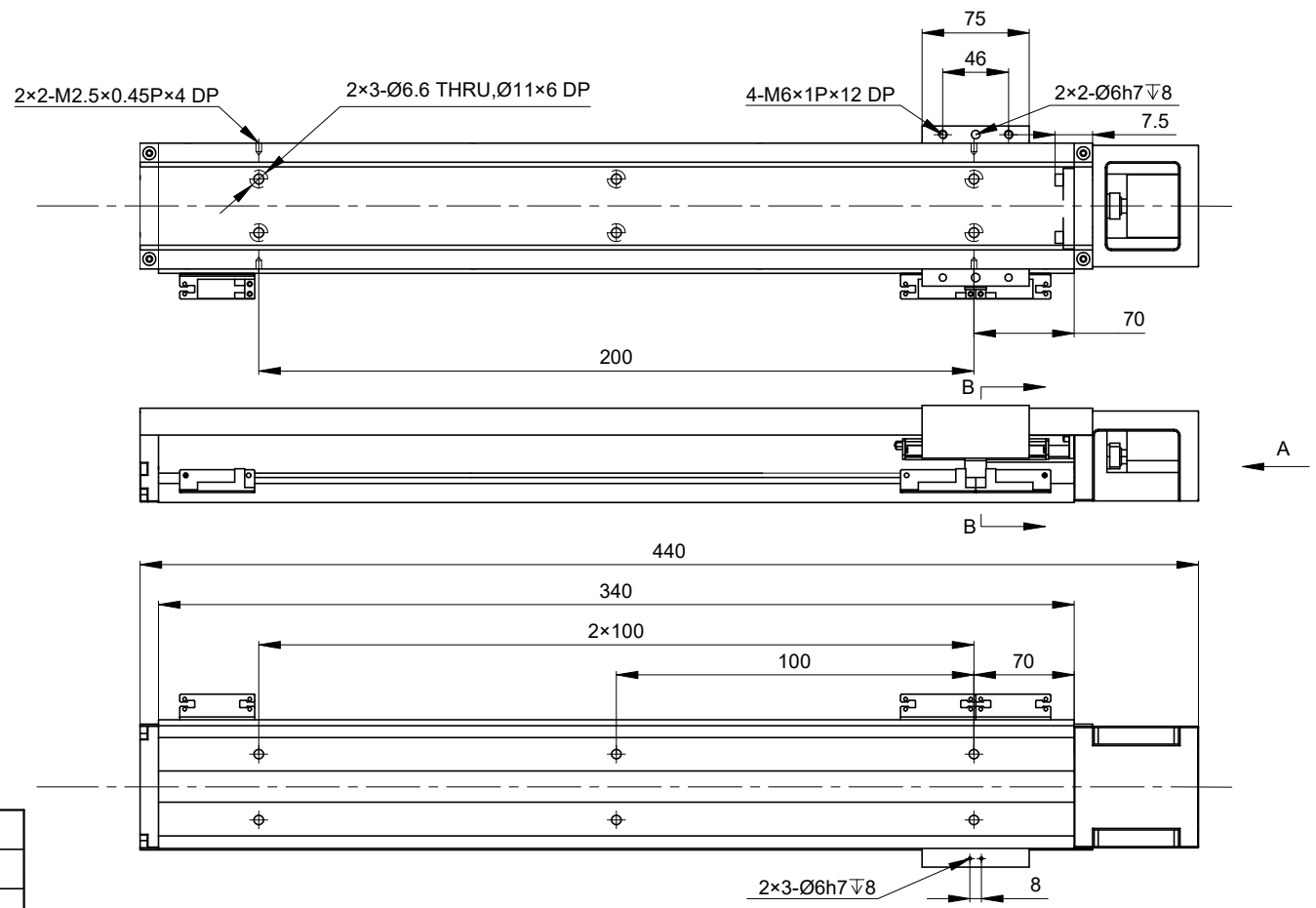
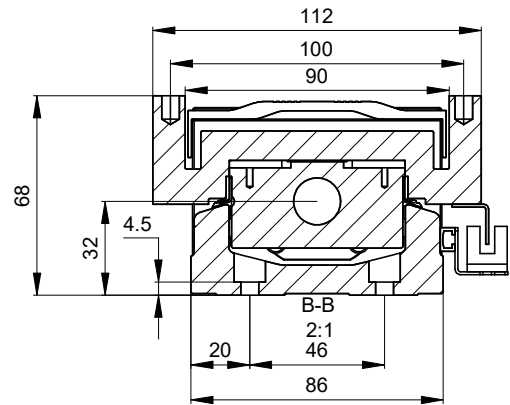
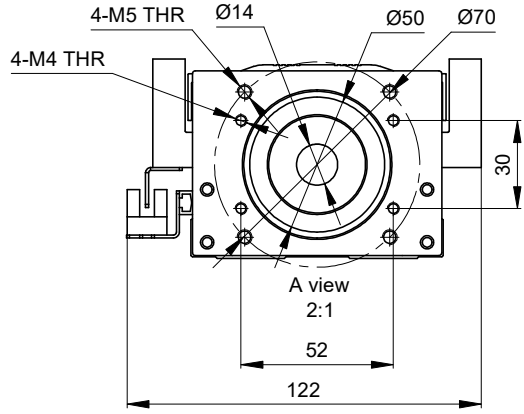


REV.	REVISION RECORD	BY	DATE
0	ORIGIN	LJ	5.21.2025

CUSTOMER'S MODEL: NO MODEL  
 END COVER COLOR: GREY



STROKE PITCH(mm)	210	
POSITION ACCURACY (mm)	±0.01	
BALL SCREW LEAD (mm)	10.00	
MAXIMUM SPEED (mm/s)	500.00	
MAXIMUM PAYLOAD(kg)	HORIZONTAL	40.00
	VERTICAL	12.00
RATED THRUST (N)	694.00	
BALL SCREW DIAMETER (mm)	C7/Ø15	
ORIGIN SENSOR	NPN	
INPUT SHAFT LENGTH (mm)	30.00	
INPUT SHAFT DIAMETER (mm)	14.00	
WEIGHT(Kg)[lb]	6.5[14.33]	

THIS DOCUMENT SHALL NOT BE REPRODUCED NOR SHALL THE INFORMATION CONTAINED HEREIN BE USED BY OR DISCLOSED TO OTHERS UNLESS EXPRESSLY AUTHORIZED IN BY WRITING STEPPERONLINE.

DIMENSIONS ARE IN MILLIMETERS.  
 TOLERANCES AS BELOW:  
 DECIMALS ANGLES  
 X ±0.5 ±2°  
 X.X ±0.25  
 X.XX ±0.13

THIRD ANGLE PROJECTION		
SIGNATURE		DATE
DRN	LJ	5.21.2025
APVD	LDJ	5.26.2025

**STEPPERONLINE®**

**STEPPER MOTOR LINEAR ACTUATOR**

**LK86-60DL10S3-210**

REV.	0	SCALE	1:4	DWG NO.	A4549
------	---	-------	-----	---------	-------