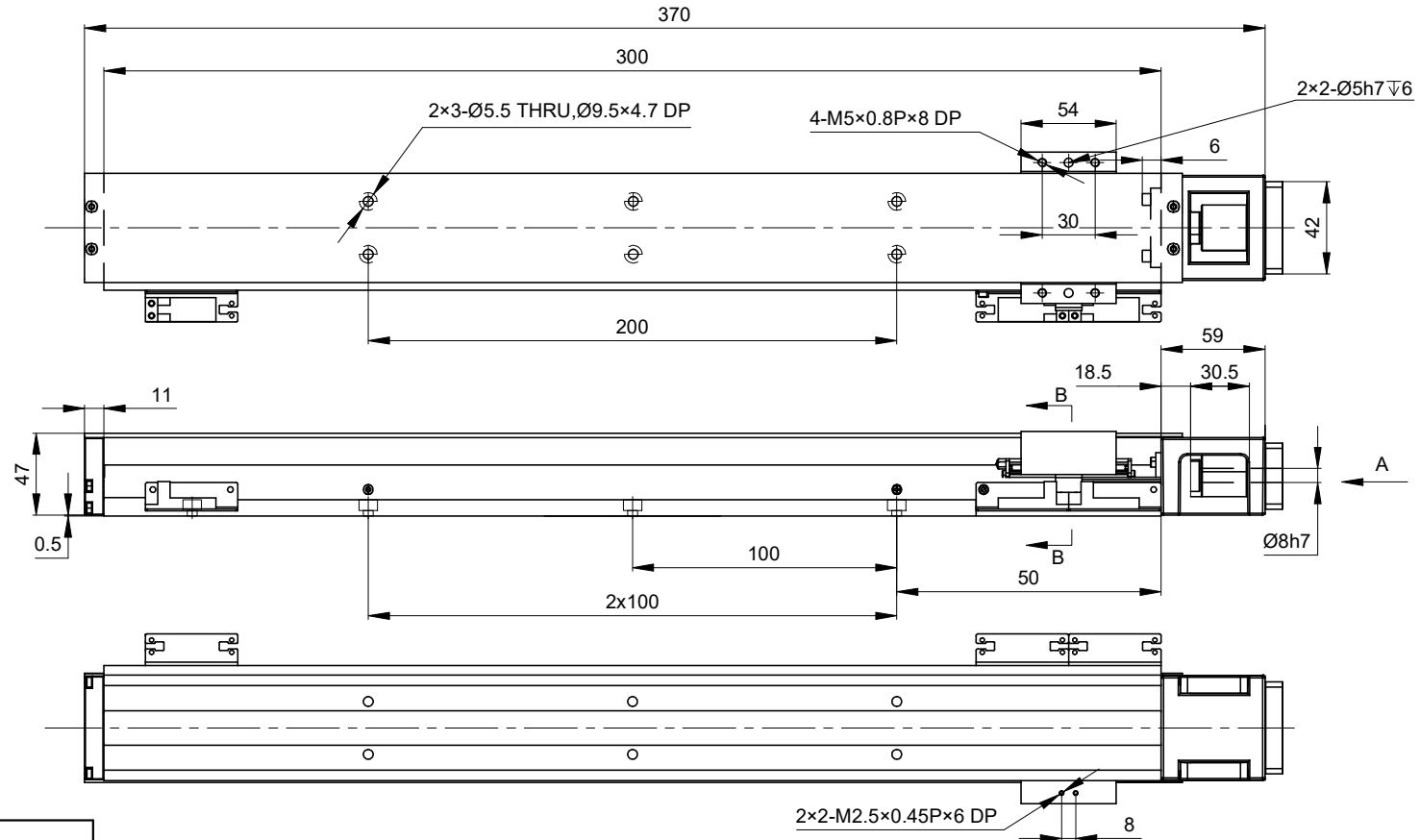
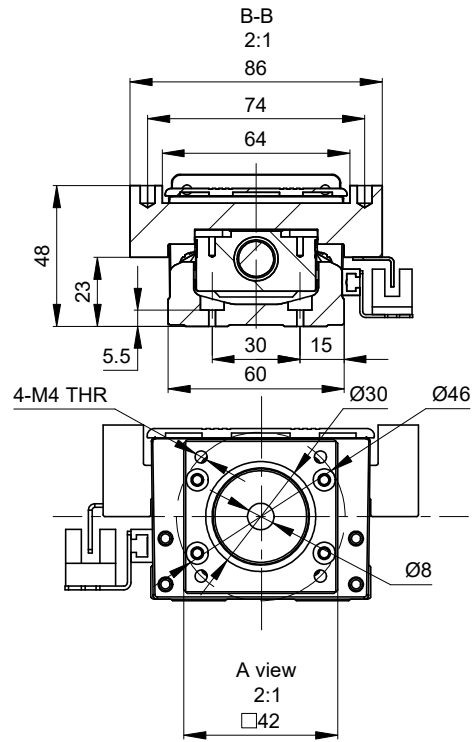


CUSTOMER'S MODEL: NO MODEL
 END COVER COLOR: GREY

REV.	REVISION RECORD	BY	DATE
0	ORIGIN	LJ	5.20.2025



STROKE PITCH(mm)	210	
POSITION ACCURACY (mm)	±0.01	
BALL SCREW LEAD (mm)	10.00	
MAXIMUM SPEED (mm/s)	500.00	
MAXIMUM PAYLOAD(kg)	HORIZONTAL	20.00
	VERTICAL	6.00
RATED THRUST (N)	170.00	
BALL SCREW DIAMETER (mm)	C7/Ø12	
ORIGIN SENSOR	NPN	
INPUT SHAFT LENGTH (mm)	25.00	
INPUT SHAFT DIAMETER (mm)	8.00	
WEIGHT(Kg)[lb]	2.7[5.95]	

THIS DOCUMENT SHALL NOT BE REPRODUCED
 NOR SHALL THE INFORMATION CONTAINED
 HEREIN BE USED BY OR DISCLOSED TO OTHERS
 UNLESS EXPRESSLY AUTHORIZED IN BY WRITING
 STEPPERONLINE.

DIMENSIONS ARE IN MILLIMETERS. TOLERANCES AS BELOW:	
DECIMALS	ANGLES
X ±0.5	±2°
X.X ±0.25	
X.XX ±0.13	
THIRD ANGLE PROJECTION	
SIGNATURE	
DRN	LJ
APVD	LDJ
DATE	
6.3.2025	
6.3.2025	

STEPPER MOTOR LINEAR ACTUATOR									
LK60-40DL10S3-210									
REV.	0	SCALE	1:4	DWG NO.	A4546				