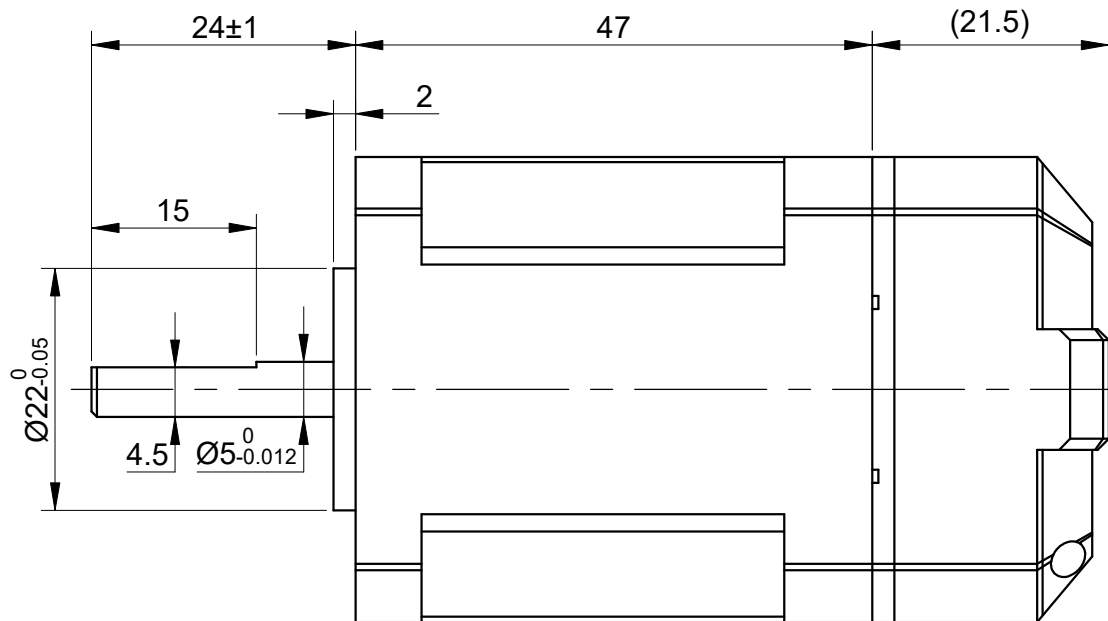
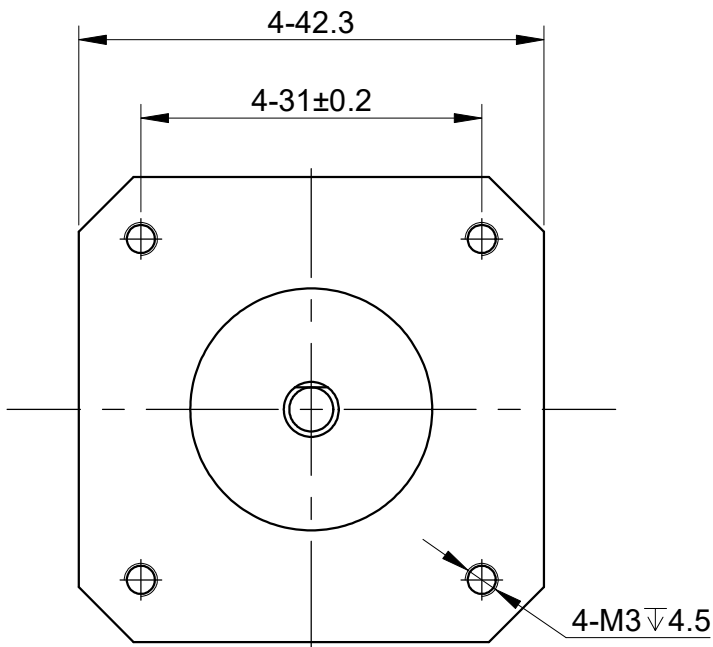


MODEL NO.	ESS17-RS04	DWG NO.	A4570
-----------	------------	---------	-------

CUSTOMER'S MODEL: NO MODEL
 END COVER COLOR: BLACK

REV.	REVISION RECORD	BY	DATE
0	ORIGIN	ZPJ	5.26.2025



CONNECTION	BIPOLAR
SPECIFICATION	
POWER VOLTAGE(V)	24
PEAK CURRENT(A)	0.8-2.0
LOGICAL VOLTAGE(V)	24
LOGICAL CURRENT(mA)	10-50
HOLDING TORQUE(Nm)[lb-in]	0.48[4.25]
STEP ANGLE(°)	1.80
STEP ACCURACY(NON-ACCUM)	±5.00%
MAX. INPUT FREQUENCY	200KHZ
WEIGHT(Kg)[lb]	—
AMBIENT TEMPERATURE	0°C~50°C[32°F~112°F]
INSULATION CLASS	B 130°C[266°F]
TEMPERATURE RISE	MAX.80°C

FULL STEP 2 PHASE-Ex.,WHEN FACING MOUNTING END (X)					CCW	↑	DIMENSIONS ARE IN MILLIMETERS. TOLERANCES AS BELOW: DECIMALS ANGLES X ±0.5 ±2° X.X ±0.25 X.XX ±0.13
STEP	A+	B+	A-	B-			
1	+	+	-	-	↓	↑	THIRD ANGLE PROJECTION
2	-	+	+	-			
3	-	-	+	+			
4	+	-	-	+			

STEPPERONLINE®

INTEGRATED STEPPER MOTOR

ESS17-RS04

SIGNATURE	DATE	REV.	0	SCALE	1:1	DWG NO.	A4570
DRN	ZPJ	5.26.2025					
APVD	LJ	5.26.2025					

THIS DOCUMENT SHALL NOT BE REPRODUCED NOR SHALL THE INFORMATION CONTAINED HEREIN BE USED BY OR DISCLOSED TO OTHERS UNLESS EXPRESSLY AUTHORIZED IN BY WRITING STEPPERONLINE.