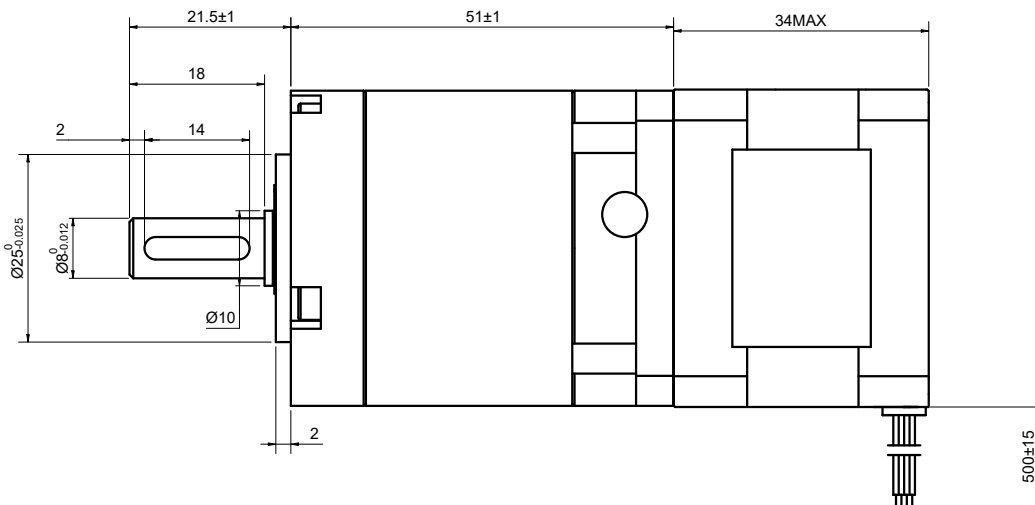
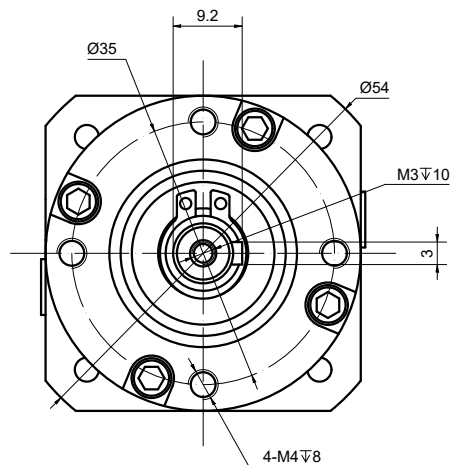


CUSTOMER'S MODEL: NO MODEL
 END COVER COLOR: BLACK

REV.	REVISION RECORD	BY	DATE
0	ORIGIN	LJ	1.27.2026



CONNECTION	BIPOLAR
SPECIFICATION	
AMPS/PHASE	0.4
RESISTANCE/PHASE(Ohms)@25°C	25.00±10%
INDUCTANCE/PHASE(mH)@1KHz	28.50±20%
HOLDING TORQUE w/o GEARBOX(Nm)[lb-in]	0.25[2.21]
STEP ANGLE w/o GEARBOX(°)	1.80
GEAR RATIO	20
GEAR EFFICIENCY	80%
BACKLASH@NO-LOAD(arcmin)	<=45
MAX.PERMISSIBLE TORQUE(Nm)	10.00
MOMENT PERMISSIBLE TORQUE(Nm)	20.00
AMBIENT TEMPERATURE	-10°C~50°C[14°F~122°F]
INSULATION CLASS	B 130°C[266°F]
TEMPERATURE RISE	MAX.80°C

COMMENT:
 1.DYNAMIC AXIAL LOAD: 50N MAX
 2.DYNAMIC RADIAL LOAD @ SHAFT LENGTH 20mm: 100N MAX
 3.TMBF 6000h OR MORE @ 24V/300RPM
 4.INSULATION RESISTANCE (NORMAL TEMPERATURE AND HUMIDITY): 100 Mohm
 5.DIELECTRIC STRENGTH 500VAC FOR 1MIN.(BETWEEN THE MOTOR COILS AND THE MOTOR CASE)

MOTOR CONNECTION			
PIN NO	BIPOLAR	LEADS	WINDING
1	A+	BLK	
2	A-	GRN	
3	B+	RED	
4	B-	BLU	

FULL STEP 2 PHASE-Ex.,WHEN FACING MOUNTING END (X)						DIMENSIONS ARE IN MILLIMETERS.		
STEP	A+	B+	A-	B-		CCW	TOLERANCES AS BELOW:	
1	+	+	-	-			DECIMALS	
2	-	+	+	-			X ±0.5	ANGLES
3	-	-	+	+			X.X ±0.25	±2°
4	+	-	-	+			X.XX ±0.13	

STEPPERONLINE®

STEPPER MOTOR

17HS13-0404S-MG20

THIS DOCUMENT SHALL NOT BE REPRODUCED NOR SHALL THE INFORMATION CONTAINED HEREIN BE USED BY OR DISCLOSED TO OTHERS UNLESS EXPRESSLY AUTHORIZED IN BY WRITING STEPPERONLINE.

SIGNATURE		DATE
DRN	LJ	1.27.2026
APVD	MYX	1.27.2026

REV.	0	SCALE	1:1	DWG NO.	A4444
------	---	-------	-----	---------	-------