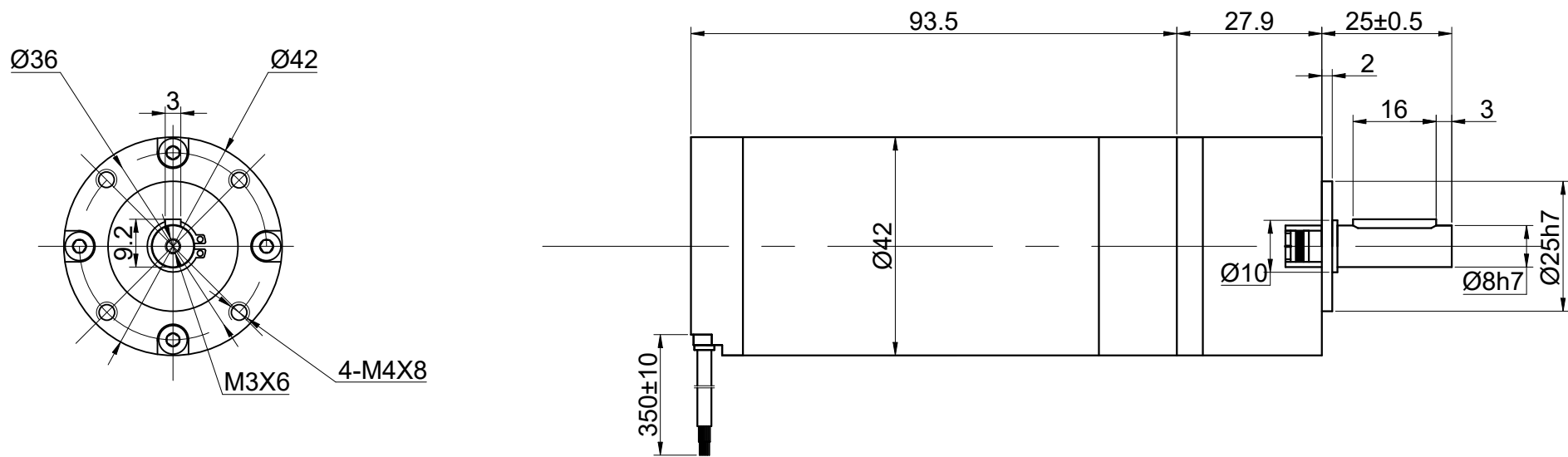


CUSTOMER'S MODEL: NO MODEL
 END COVER COLOR: GRAY

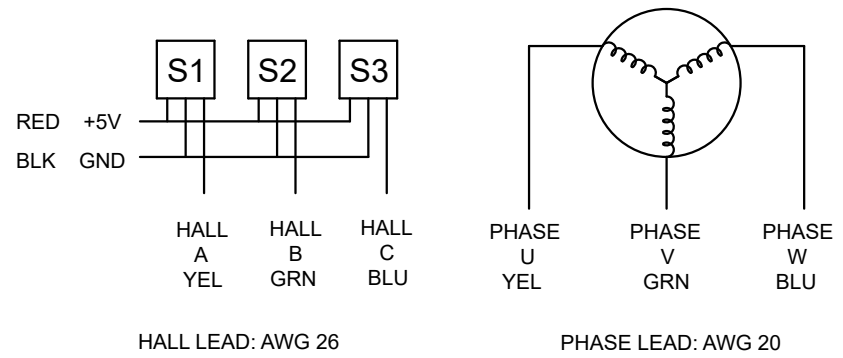
REV.	REVISION RECORD	BY	DATE
0	ORIGIN	YSX	3.25.2025



SPECIFICATION	VALUE
GEAR RATIO	5.18
NO. of PHASES	3
NO. of POLES	4
RATED VOLTAGE(V)	24
RATED TORQUE(N.m)[lb-in]	0.45[3.98]
RATED POWER(W)	30
RATED SPEED(RPM)	579
RATED CURRENT(A)	1.66
NO LOAD SPEED W/O GEARBOX(RPM)	3400±10%
WEIGHT(kg)	0.68kg
SENSOR	HALL
AMBIENT TEMPERATURE	-10°C~50°C[14°F~122°F]
INSULATION CLASS	B 130°C[266°F]
TEMPERATURE RISE	MAX.80°C

COMMENT:
 1.INSULATION RESISTANCE (NORMAL TEMPERATURE AND HUMIDITY): 50 Mohm
 2.DIELECTRIC STRENGTH: AC600V CUT OFF CURRENT 2mA FOR 1S

DIMENSIONS ARE IN MILLIMETERS.
 TOLERANCES AS BELOW:
 DECIMALS ANGLES
 X ±0.5 ±2°
 X.X ±0.25
 X.XX ±0.13



HALL LEAD: AWG 26

PHASE LEAD: AWG 20

STEPPERONLINE®

BRUSHLESS DC MOTOR

M42B30-24P-30S/G42-5.18S1

THIS DOCUMENT SHALL NOT BE REPRODUCED NOR SHALL THE INFORMATION CONTAINED HEREIN BE USED BY OR DISCLOSED TO OTHERS UNLESS EXPRESSLY AUTHORIZED IN BY WRITING STEPPERONLINE.

SIGNATURE		DATE
DRN	YSX	12.10.2025
APVD	LJ	12.10.2025