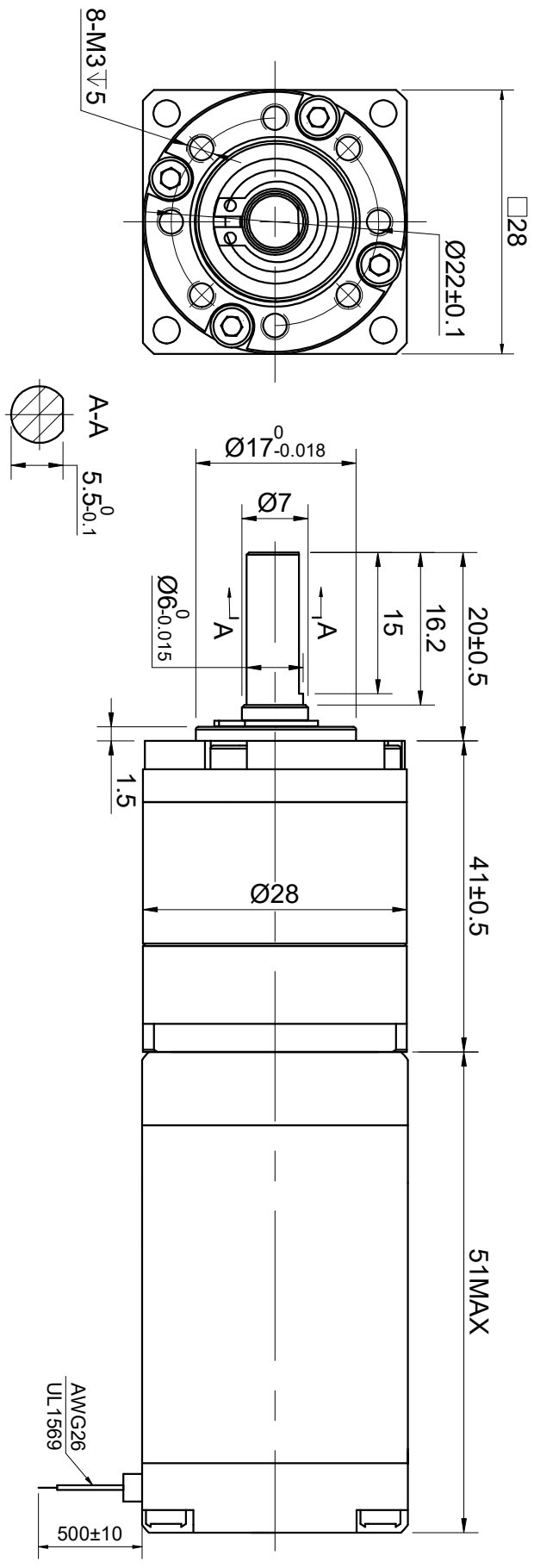


CUSTOMER'S MODEL: NO MODEL  
 END COVER COLOR: BLACK

REV.	REVISION RECORD	BY	DATE
0	ORIGIN	LJ	3.14.2025



SPECIFICATION	CONNECTION	BIPOLAR
AMPS/PHASE		0.70
RESISTANCE/PHASE(Ohms)@25°C		8.00±10%
INDUCTANCE/PHASE(mH)@1KHz		5.20±20%
HOLDING TORQUE w/o GEARBOX(Nm)[lb-in]		0.12[1.04]
STEP ANGLE w/o GEARBOX(°)		1.80
GEAR RATIO		20
GEAR EFFICIENCY		94%
BACKLASH@NO-LOAD(arcmin)		<=20
MAX.PERMISIBLE TORQUE(Nm)		4.00
MOMENT PERMISSIBLE TORQUE(Nm)		8.00
AMBIENT TEMPERATURE		-10°C~50°C[14°F~122°F]
INSULATION CLASS		B 130°C[266°F]
TEMPERATURE RISE		MAX.80°C

COMMENT:  
 1.DYNAMIC AXIAL LOAD: 100N MAX  
 2.DYNAMIC RADIAL LOAD @ SHAFT LENGTH 20mm: 300N MAX  
 3.TMBF 6000h OR MORE @ 24V/300RPM  
 4.INSULATION RESISTANCE (NORMAL TEMPERATURE AND HUMIDITY): 100 Mohm  
 5.DIELECTRIC STRENGTH 500VAC FOR 1MIN.(BETWEEN THE MOTOR COILS AND THE MOTOR CASE)

STEP	FULL STEP 2 PHASE-EX. WHEN FACING MOUNTING END (X)				CCW	CW	DIMENSIONS ARE IN MILLIMETERS. TOLERANCES AS BELOW: DECIMALS ANGLES
	A+	B+	A-	B-			
1	+	+	-	-			X ±0.5 XX ±0.25 XXX ±0.13
2	-	+	+	-			
3	-	-	+	+			
4	+	-	-	+			

THIS DOCUMENT SHALL NOT BE REPRODUCED NOR SHALL THE INFORMATION CONTAINED HEREIN BE USED BY OR DISCLOSED TO OTHERS UNLESS EXPRESSLY AUTHORIZED IN WRITING BY STEPPERONLINE.

PIN NO	BIPOLAR	LEADS	WINDING
1	A+	BLK	A+
2	A-	GRN	A-
3	B+	RED	B+
4	B-	BLU	B-

**STEPPERONLINE®**

STEPPER MOTOR

11HS20-0704S-EGS20

REV.	0	SCALE	1:1	DWG. NO.	A4726
DATE <td>3.14.2025 <td></td> <td></td> <td></td> <td></td> </td>	3.14.2025 <td></td> <td></td> <td></td> <td></td>				
SIGNATURE <td>LJ <td></td> <td></td> <td></td> <td></td> </td>	LJ <td></td> <td></td> <td></td> <td></td>				
DRN <td>APVD <td>MYX <td></td> <td></td> <td></td> </td></td>	APVD <td>MYX <td></td> <td></td> <td></td> </td>	MYX <td></td> <td></td> <td></td>			