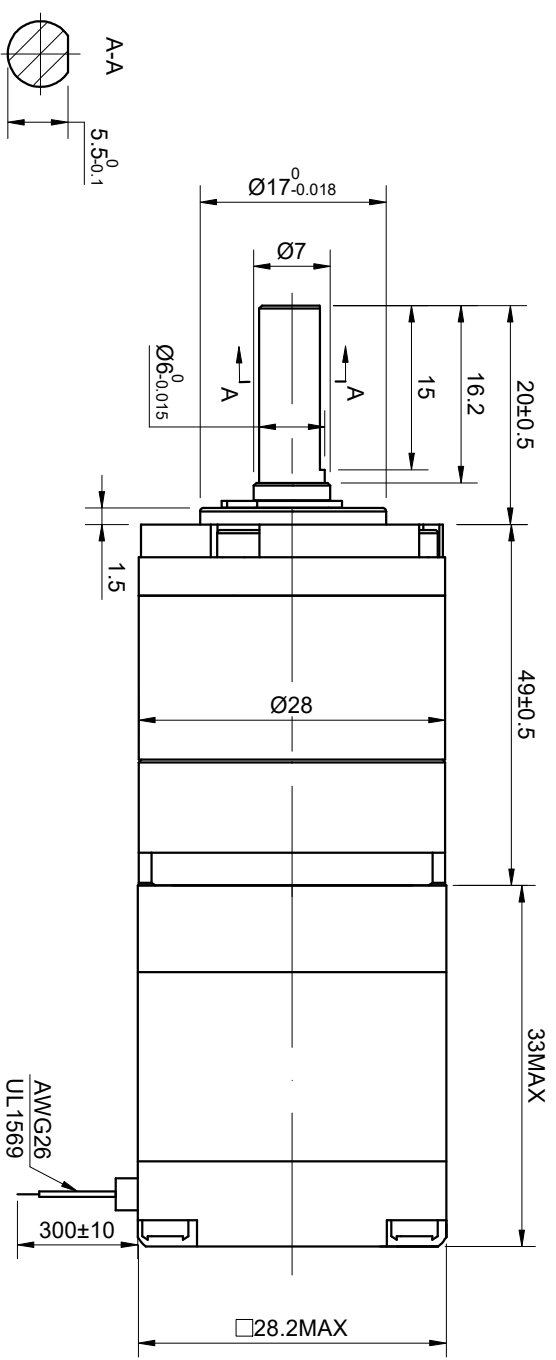
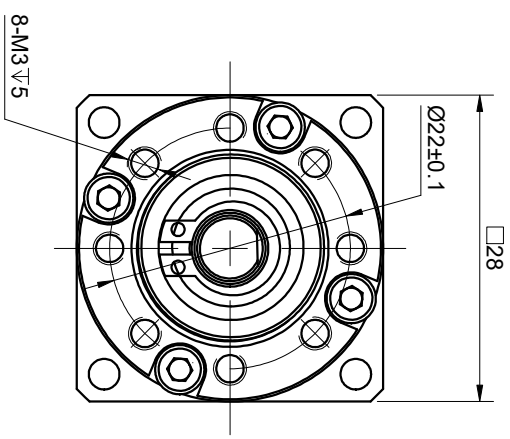


4Z74V ON GMD 001SG3-S70L0-21SH11 ON TEGDM

CUSTOMER'S MODEL: NO MODEL
END COVER COLOR: BLACK

| REV. | REVISION RECORD | BY | DATE |
|------|-----------------|----|-----------|
| 0 | ORIGIN | LJ | 3.14.2025 |



| SPECIFICATION | CONNECTION | BIPOLAR |
|---------------------------------------|------------|------------------------|
| AMPS/PHASE | | 0.70 |
| RESISTANCE/PHASE(Ohms)@25°C | | 5.30±10% |
| INDUCTANCE/PHASE(mH)@1KHz | | 3.70±20% |
| HOLDING TORQUE w/o GEARBOX(Nm)[lb-in] | | 0.07[0.62] |
| STEP ANGLE w/o GEARBOX(°) | | 1.80 |
| GEAR RATIO | | 100 |
| GEAR EFFICIENCY | | 90% |
| BACKLASH@NO-LOAD(arcmin) | | <=25 |
| MAX PERMISSIBLE TORQUE(Nm) | | 6.00 |
| MOMENT PERMISSIBLE TORQUE(Nm) | | 12.00 |
| AMBIENT TEMPERATURE | | -10°C~50°C[14°F~122°F] |
| INSULATION CLASS | | B 130°C[266°F] |
| TEMPERATURE RISE | | MAX.80°C |

COMMENT:
1. TMBF 6000h OR MORE @ 24V/300RPM
2. INSULATION RESISTANCE (NORMAL TEMPERATURE AND HUMIDITY): 100 Mohm
3. DIELECTRIC STRENGTH 500VAC FOR 1MIN.(BETWEEN THE MOTOR COILS AND THE MOTOR CASE)

| STEP | FULL STEP 2 PHASE-EX. WHEN FACING MOUNTING END (X) | | | | CCW | CW | THIRD ANGLE PROJECTION |
|------|--|----|----|----|-----|----|---|
| | A+ | B+ | A- | B- | | | |
| 1 | + | + | - | - | ← | → | DIMENSIONS ARE IN MILLIMETERS. TOLERANCES AS BELOW: ANGLES ±2° X ±0.5 X X ±0.25 X.XX ±0.13 |
| 2 | - | + | + | - | | | |
| 3 | - | - | + | + | | | |
| 4 | + | - | - | + | | | |

| PIN NO | BIPOLAR | LEADS | WINDING |
|--------|---------|-------|---------|
| 1 | A+ | BLK | A+ |
| 2 | A- | GRN | A- |
| 3 | B+ | RED | B+ |
| 4 | B- | BLU | B- |

STEPPERONLINE®

STEPPER MOTOR

11HS12-0704S-EGS100

THIS DOCUMENT SHALL NOT BE REPRODUCED NOR SHALL THE INFORMATION CONTAINED HEREIN BE USED BY OR DISCLOSED TO OTHERS UNLESS EXPRESSLY AUTHORIZED IN WRITING BY STEPPERONLINE.

| REV. | 0 | SCALE | 1:1 | DWG. NO. | A4274 |
|------|-----------|-------|-----|----------|-------|
| DATE | 3.14.2025 | REV. | 0 | SCALE | 1:1 |
| DATE | 3.14.2025 | REV. | 0 | SCALE | 1:1 |