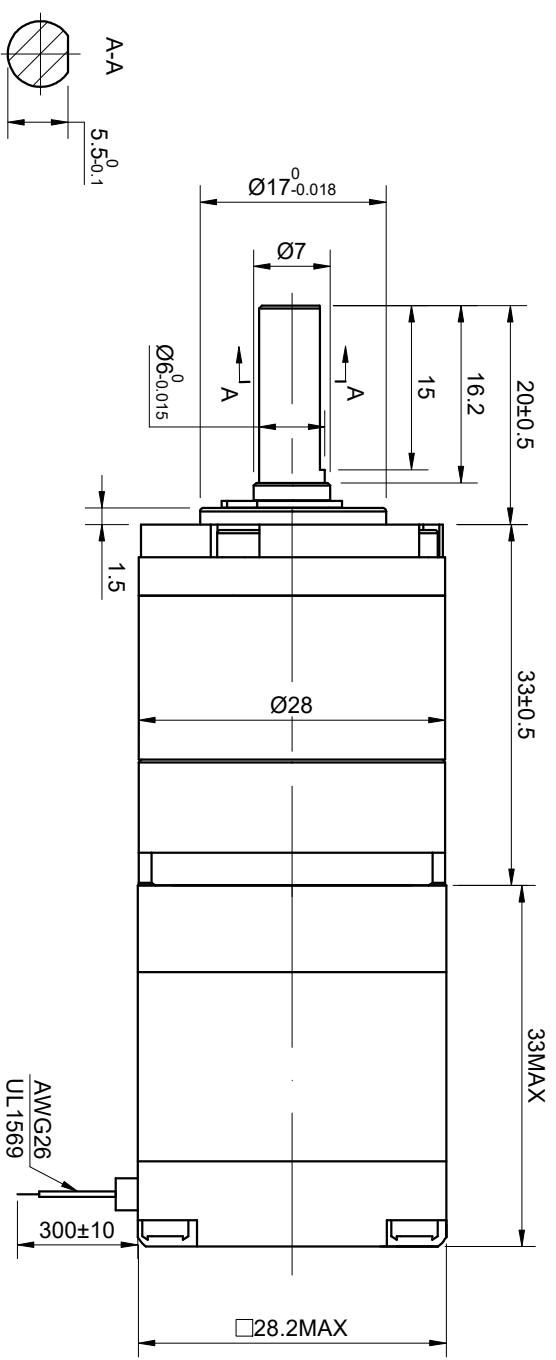
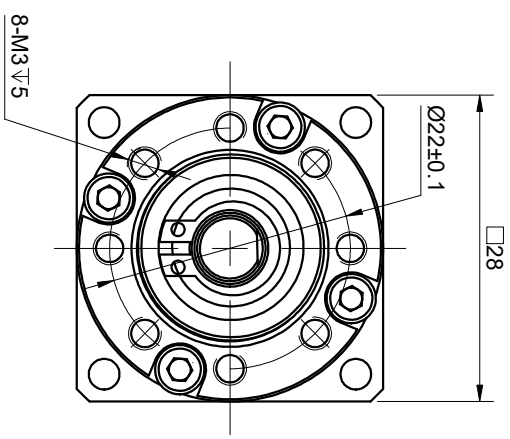


L274V ON GMD 01SG3-S040L0-21SH11 ON TEGDM
 CUSTOMER'S MODEL: NO MODEL
 END COVER COLOR: BLACK

REV.	REVISION RECORD	BY	DATE
0	ORIGIN	LJ	3.14.2025



SPECIFICATION	CONNECTION	BIPOLAR
AMPS/PHASE		0.70
RESISTANCE/PHASE(Ohms)@25°C		5.30±10%
INDUCTANCE/PHASE(mH)@1KHz		3.70±20%
HOLDING TORQUE w/o GEARBOX(Nm)[lb-in]		0.07[0.62]
STEP ANGLE w/o GEARBOX(°)		1.80
GEAR RATIO		10
GEAR EFFICIENCY		96%
BACKLASH@NO-LOAD(arcmin)		<=15
MAX PERMISSIBLE TORQUE(Nm)		1.00
MOMENT PERMISSIBLE TORQUE(Nm)		2.00
AMBIENT TEMPERATURE		-10°C~50°C[14°F~122°F]
INSULATION CLASS		B [30°C][266°F]
TEMPERATURE RISE		MAX.80°C

COMMENT:
 1.TMBF 6000h OR MORE @ 24V/300RPM
 2.INSULATION RESISTANCE (NORMAL TEMPERATURE AND HUMIDITY): 100 Mohm
 3.DIELECTRIC STRENGTH 500VAC FOR 1MIN.(BETWEEN THE MOTOR COILS AND THE MOTOR CASE)

STEP	A+	B+	A-	B-	CCW	CW
1	+	+	-	-	←	→
2	-	+	+	-	←	→
3	-	-	+	+	←	→
4	+	-	-	+	←	→

FULL STEP 2 PHASE-EX. WHEN FACING MOUNTING END (X)
 THIS DOCUMENT SHALL NOT BE REPRODUCED
 NOR SHALL THE INFORMATION CONTAINED
 HEREIN BE USED BY OR DISCLOSED TO
 OTHERS UNLESS EXPRESSLY AUTHORIZED IN
 BY WRITING STEPPERONLINE.

PIN NO	BIPOLAR	LEADS	WINDING
1	A+	BLK	A+
2	A-	GRN	A-
3	B+	RED	B+
4	B-	BLU	B-

STEPPERONLINE®

STEPPER MOTOR

11HS12-0704S-EGS10

SIGNATURE	DATE	REV.	SCALE	DWG. NO.	A4271
DRN LJ	3.14.2025	0	1:1		
APVD MYX	3.14.2025				