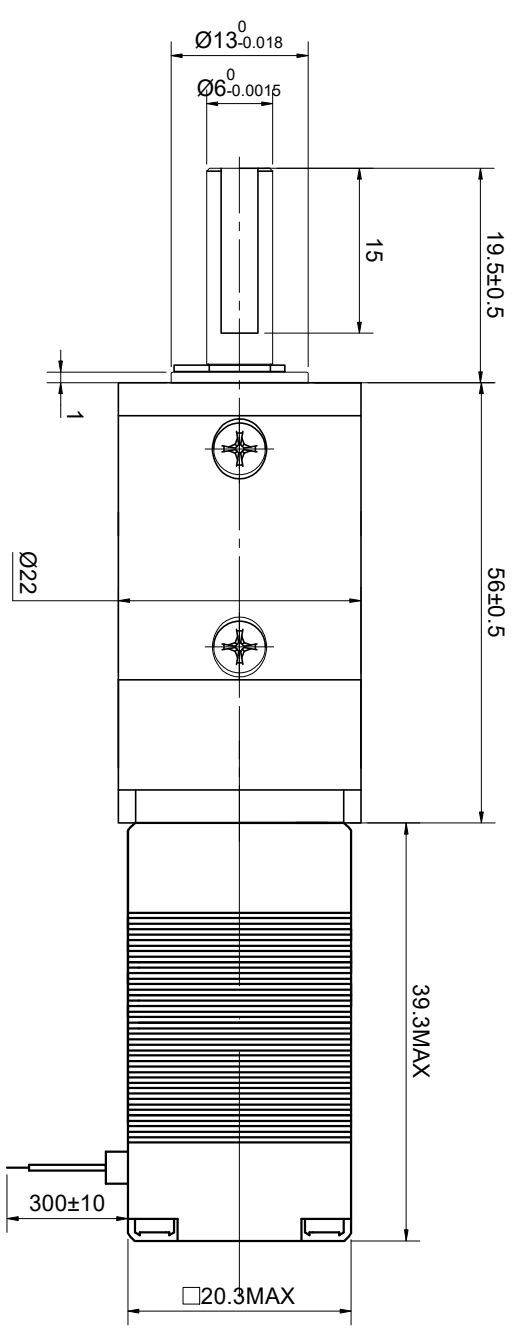
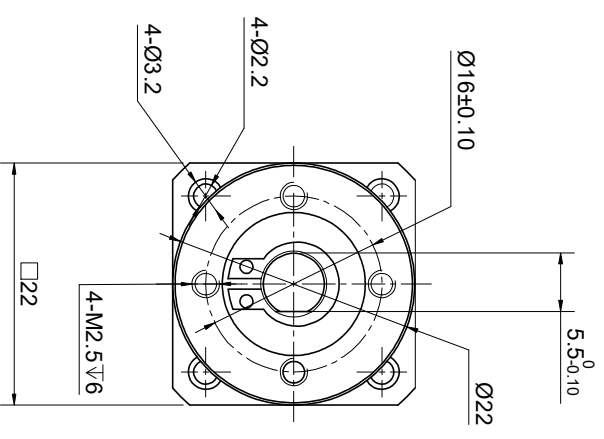


CUSTOMER'S MODEL: NO MODEL  
 END COVER COLOR: BLACK

REV.	REVISION RECORD	BY	DATE
0	ORIGIN	LJ	3.14.2025



SPECIFICATION	CONNECTION	BIPOLAR
AMPS/PHASE		0.60
RESISTANCE/PHASE(Ohms)@25°C		11.00±10%
INDUCTANCE/PHASE(mH)@1KHz		5.50±20%
HOLDING TORQUE w/o GEARBOX(Nm)[lb-in]		0.04[0.35]
STEP ANGLE w/o GEARBOX(°)		1.80
GEAR RATIO		100
GEAR EFFICIENCY		90%
BACKLASH@NO-LOAD(arcmin)		<=25
MAX.PERMISSIBLE TORQUE(Nm)		6.00
MOMENT PERMISSIBLE TORQUE(Nm)		12.00
AMBIENT TEMPERATURE		-10°C-50°C[14°F-122°F]
INSULATION CLASS		B 130°C[266°F]
TEMPERATURE RISE		MAX.80°C

COMMENT:  
 1. TMBF 6000h OR MORE @ 24V/300RPM  
 2. INSULATION RESISTANCE (NORMAL TEMPERATURE AND HUMIDITY): 100 Mohm  
 3. DIELECTRIC STRENGTH 500VAC FOR 1MIN.(BETWEEN THE MOTOR COILS AND THE MOTOR CASE )

STEP	FULL STEP 2 PHASE-EX. WHEN FACING MOUNTING END (X)				CCW	CW
	A+	B+	A-	B-		
1	+	+	-	-	↑	↓
2	-	+	+	-		
3	-	-	+	+		
4	+	-	-	+		

THIS DOCUMENT SHALL NOT BE REPRODUCED NOR SHALL THE INFORMATION CONTAINED HEREIN BE USED BY OR DISCLOSED TO OTHERS UNLESS EXPRESSLY AUTHORIZED IN WRITING STEPPERONLINE.

DIMENSIONS ARE IN MILLIMETERS:  
 TOLERANCES AS BELOW:  
 DECIMALS ±0.5  
 X.X ±0.25  
 X.XX ±0.13

THIRD ANGLE PROJECTION

**STEPPERONLINE®**  
**STEPPER MOTOR**

PIN NO	BIPOLAR	LEADS	WINDING
1	A+	BLK	A+
2	A-	GRN	A-
3	B+	RED	B+
4	B-	BLU	B-

SIGNATURE	DATE	REV.	SCALE	DWG. NO.	A4269
DRN LJ	3.14.2025	1	3:2		
APVD MYX	3.14.2025				

8HS15-0604S-EGS100