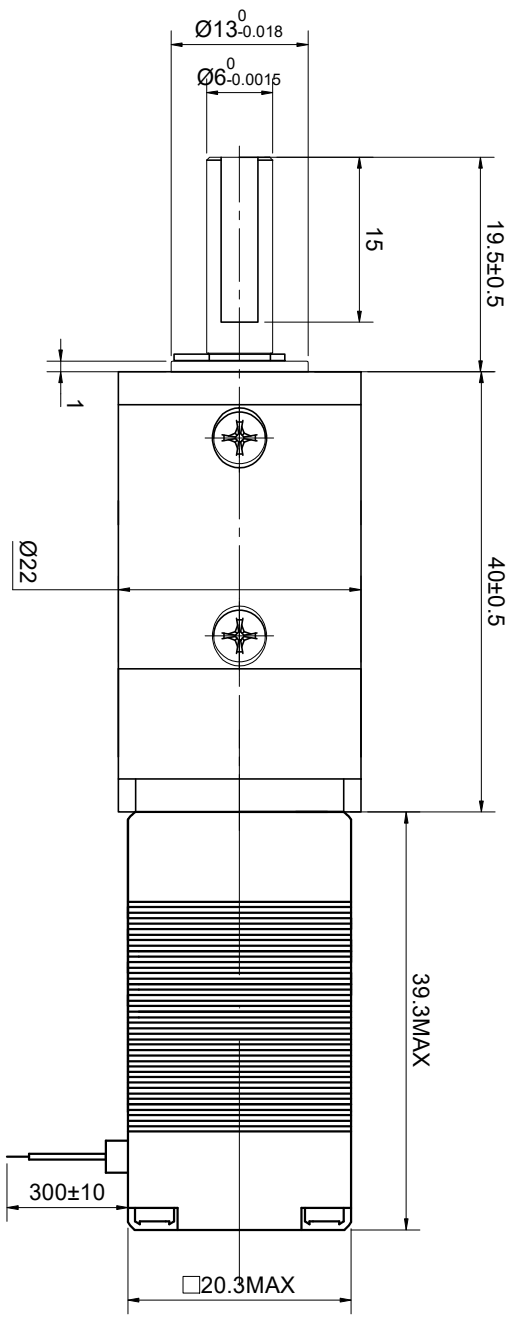
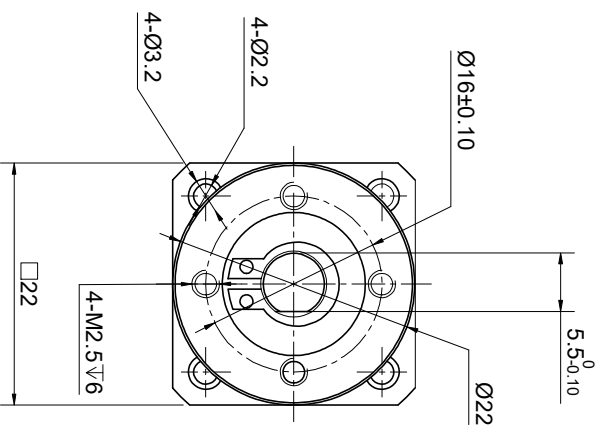


CUSTOMER'S MODEL: NO MODEL
 END COVER COLOR: BLACK

REV.	REVISION RECORD	BY	DATE
0	ORIGIN	LJ	3.14.2025



SPECIFICATION	CONNECTION	BIPOLAR
AMPS/PHASE		0.60
RESISTANCE/PHASE(Ohms)@25°C		11.00±10%
INDUCTANCE/PHASE(mH)@1KHz		5.50±20%
HOLDING TORQUE w/o GEARBOX(Nm)[lb-in]		0.04[0.35]
STEP ANGLE w/o GEARBOX(°)		1.80
GEAR RATIO		10
GEAR EFFICIENCY		96%
BACKLASH@NO-LOAD(arcmin)		<=15
MAX.PERMISSIBLE TORQUE(Nm)		1.00
MOMENT PERMISSIBLE TORQUE(Nm)		2.00
AMBIENT TEMPERATURE		-10°C-50°C[14°F-122°F]
INSULATION CLASS		B [30°C][266°F]
TEMPERATURE RISE		MAX.80°C

COMMENT:
 1. TMBF 6000h OR MORE @ 24V/300RPM
 2. INSULATION RESISTANCE (NORMAL TEMPERATURE AND HUMIDITY): 100 Mohm
 3. DIELECTRIC STRENGTH 500VAC FOR 1MIN.(BETWEEN THE MOTOR COILS AND THE MOTOR CASE)

STEP	FULL STEP 2 PHASE-EX. WHEN FACING MOUNTING END (X)				CCW	CW
	A+	B+	A-	B-		
1	+	+	-	-	←	→
2	-	+	+	-		
3	-	-	+	+		
4	+	-	-	+		

SIGNATURE		DATE
DRN	LJ	3.14.2025
APVD	MYX	3.14.2025

MOTOR CONNECTION			
PIN NO	BIPOLAR	LEADS	WINDING
1	A+	BLK	A+
2	A-	GRN	A-
3	B+	RED	B+
4	B-	BLU	B-

STEPPERONLINE®

STEPPER MOTOR

8HS15-0604S-EGS10

REV.	1	SCALE	3:2	DWG. NO.	A4266
------	---	-------	-----	----------	-------

THIS DOCUMENT SHALL NOT BE REPRODUCED NOR SHALL THE INFORMATION CONTAINED HEREIN BE USED BY OR DISCLOSED TO OTHERS UNLESS EXPRESSLY AUTHORIZED IN WRITING BY STEPPERONLINE.

DIMENSIONS ARE IN MILLIMETERS.
 TOLERANCES AS BELOW:
 DECIMALS ±0.5
 X.X ±0.25
 X.XX ±0.13
 ANGLES ±2°
 THIRD ANGLE PROJECTION