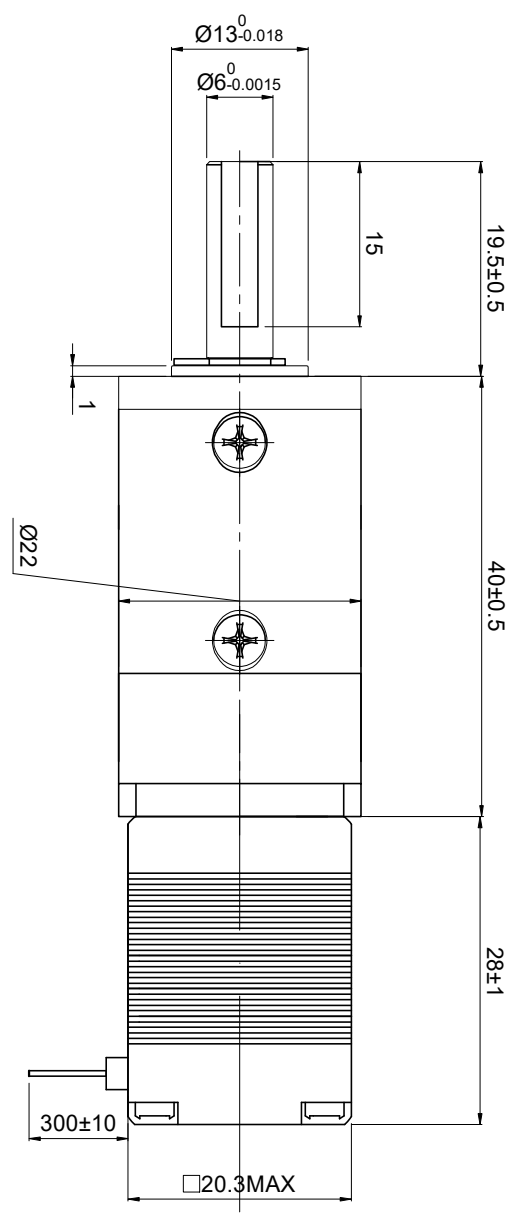
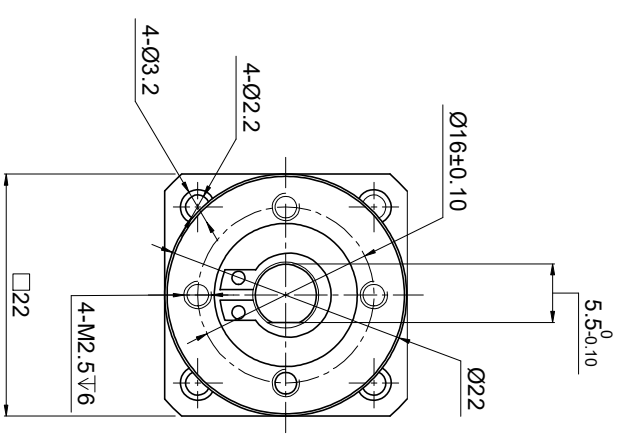


19274V ON GMD 01SG3-S4020-11SH8 ON TEGOM

CUSTOMER'S MODEL: NO MODEL
END COVER COLOR: BLACK

REV.	REVISION RECORD	BY	DATE
0	ORIGIN	LJ	3.14.2025



SPECIFICATION	CONNECTION	BIPOLAR
AMPS/PHASE		0.20
RESISTANCE/PHASE(Ohms)@25°C		24.00±10%
INDUCTANCE/PHASE(mH)@1KHz		8.00±20%
HOLDING TORQUE w/o GEARBOX(Nm)[lb-in]		0.02[0.14]
STEP ANGLE w/o GEARBOX(°)		1.80
GEAR RATIO		10
GEAR EFFICIENCY		96%
BACKLASH@NO-LOAD(arcmin)		<=15
MAX.PERMISIBLE TORQUE(Nm)		1.00
MOMENT PERMISSIBLE TORQUE(Nm)		2.00
AMBIENT TEMPERATURE		-10°C-50°C[14°F-122°F]
INSULATION CLASS		B [130°C][266°F]
TEMPERATURE RISE		MAX.80°C

COMMENT:
1. TMBF 6000h OR MORE @ 24V/300RPM
2. INSULATION RESISTANCE (NORMAL TEMPERATURE AND HUMIDITY): 100 Mohm
3. DIELECTRIC STRENGTH 500VAC FOR 1MIN.(BETWEEN THE MOTOR COILS AND THE MOTOR CASE)

STEP	FULL STEP 2 PHASE-EX. WHEN FACING MOUNTING END (X)				CCW	CW
	A+	B+	A-	B-		
1	+	+	-	-	←	→
2	-	+	+	-		
3	-	-	+	+		
4	+	-	-	+		

THIS DOCUMENT SHALL NOT BE REPRODUCED NOR SHALL THE INFORMATION CONTAINED HEREIN BE USED BY OR DISCLOSED TO OTHERS UNLESS EXPRESSLY AUTHORIZED IN WRITING STEPPERONLINE.

STEPPERONLINE®

STEPPER MOTOR

8HS11-0204S-EGS10

PIN NO	BIPOLAR	LEADS	WINDING
1	A+	BLK	A+
2	A-	GRN	A-
3	B+	RED	B+
4	B-	BLU	B-

REV.	1	SCALE	3:2	DWG. NO.	A4261
------	---	-------	-----	----------	-------