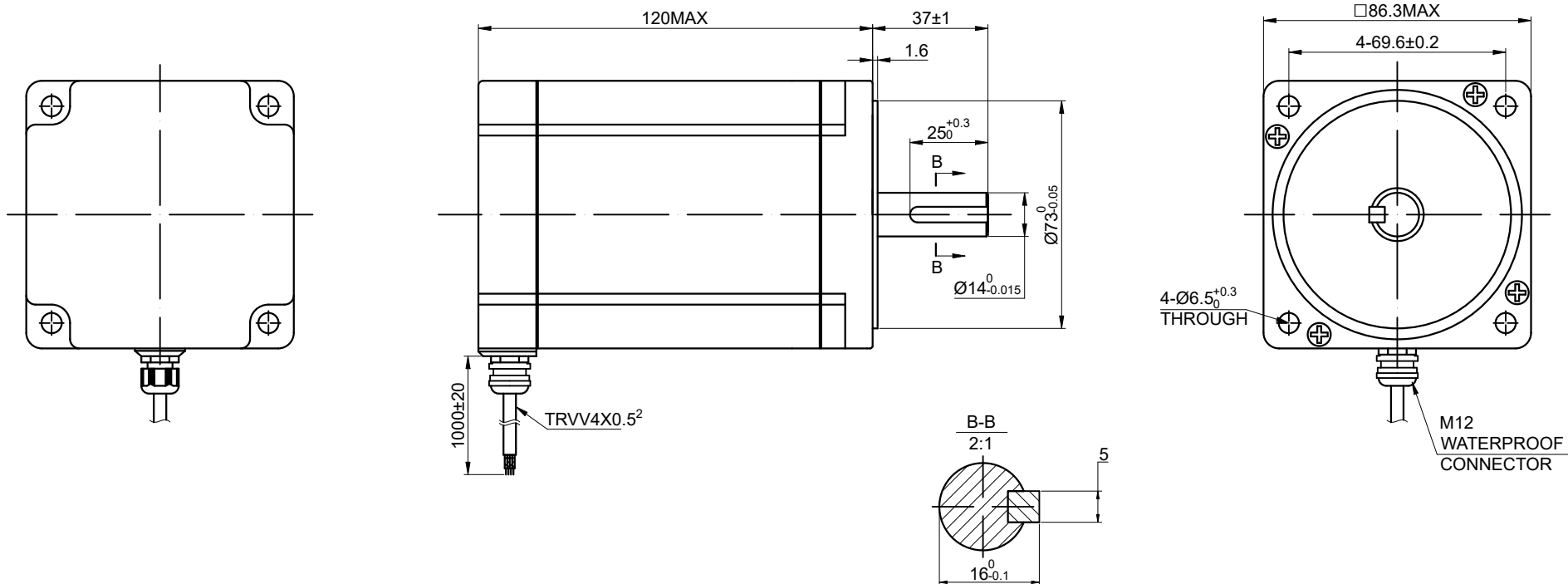


CUSTOMER'S MODEL: NO MODEL
 END COVER COLOR: BLACK

REV.	REVISION RECORD	BY	DATE
0	ORIGIN	YSX	2.25.2025



SPECIFICATION	CONNECTION	BIPOLAR
AMPS/PHASE		6.00
RESISTANCE/PHASE(Ohms)@25°C		0.55±10%
INDUCTANCE/PHASE(mH)@1KHz		5.00±20%
HOLDING TORQUE(Nm)[lb-in]		8.50[75.23]
STEP ANGLE(°)		1.80
STEP ACCURACY(NON-ACCUM)		±5.00%
WATERPROOF RATE		IP65
WEIGHT(Kg)[lb]		—
AMBIENT TEMPERATURE		0°C~50°C[32°F~122°F]
INSULATION CLASS		B 130°C[266°F]
TEMPERATURE RISE		MAX.80°C

COMMENT:
 1.DYNAMIC AXIAL LOAD: 15N MAX
 2.DYNAMIC RADIAL LOAD @ SHAFT LENGTH 20mm: 75N MAX
 3.TMBF 5000h OR MORE @ 24V/300RPM
 4.INSULATION RESISTANCE (NORMAL TEMPERATURE AND HUMIDITY): 100 Mohm
 5.DIELECTRIC STRENGTH 500VAC FOR 1MIN.(BETWEEN THE MOTOR COILS AND THE MOTOR CASE)

MOTOR CONNECTION			
PIN NO	BIPOLAR	LEADS	WINDING
1	A+	-	
2	A-	-	
3	B+	-	
4	B-	-	

FULL STEP 2 PHASE-Ex.,WHEN FACING MOUNTING END (X)						DIMENSIONS ARE IN MILLIMETERS.		
STEP	A+	B+	A-	B-			TOLERANCES AS BELOW:	
1	+	+	-	-			DECIMALS	ANGLES
2	-	+	+	-			X ±0.5	±2°
3	-	-	+	+			X.X ±0.25	
4	+	-	-	+			X.XX ±0.13	

STEPPERONLINE®

STEPPER MOTOR

34IP65S-85

SIGNATURE	DATE	REV.	0	SCALE	2:3	DWG NO.	A4203
DRN	YSX	2.25.2025					
APVD	MYX	2.25.2025					

THIS DOCUMENT SHALL NOT BE REPRODUCED NOR SHALL THE INFORMATION CONTAINED HEREIN BE USED BY OR DISCLOSED TO OTHERS UNLESS EXPRESSLY AUTHORIZED IN BY WRITING STEPPERONLINE.

SIGNATURE: DRN YSX, DATE: 2.25.2025
 APVD: MYX, DATE: 2.25.2025