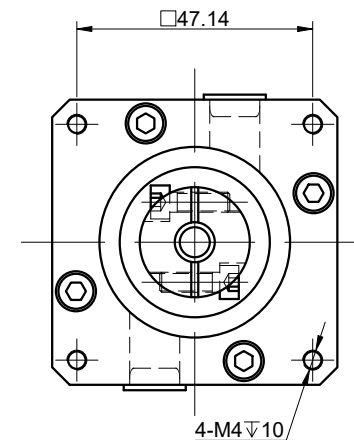
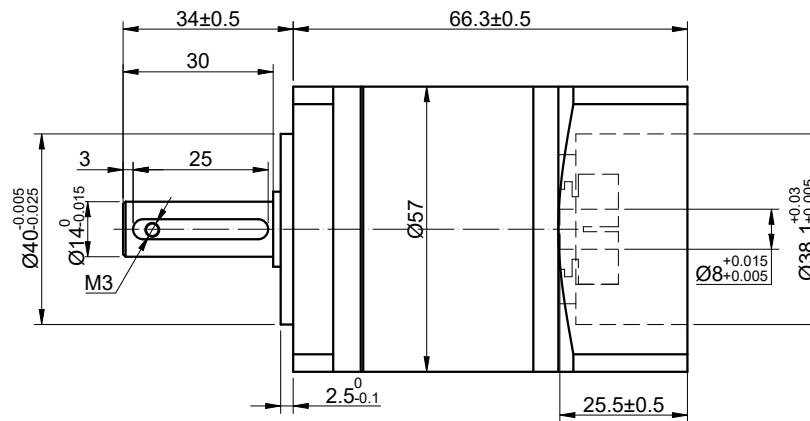
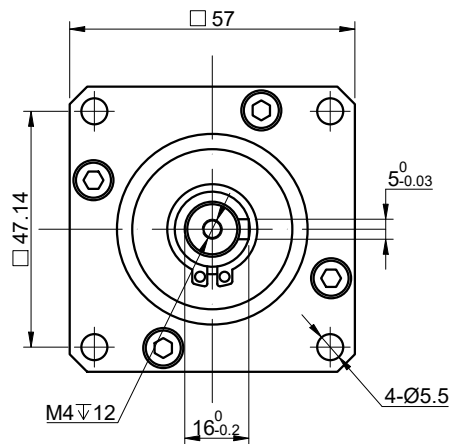


| REV. | REVISION RECORD | BY | DATE |
|------|-----------------|-----|-----------|
| 0 | ORIGIN | MYX | 2.17.2025 |



| SPECIFICATION | CONNECTION | VALUE |
|--|------------|-------------------------|
| GEAR RATIO | | 4 |
| EFFICIENCY | | 90% |
| BACKLASH@NO-LOAD(arcmin) | | <=30 |
| MAX.PERMISSIBLE TORQUE(Nm)[lb-in] | | 25.00[221.28] |
| MOMENT PERMISSIBLE TORQUE(Nm)[lb-in] | | 50.00[442.55] |
| SHAFT MAXIMUM AXIAL LOAD(N) | | 100 |
| SHAFT MAXIMUM RADIAL LOAD(N) | | 300 |
| GEARBOX MATCHING MOTOR'S INPUT SHAFT LENGTH (mm) | | 20~25 |
| RATED INPUT SPEED(RPM) | | 1000 |
| MAX. INPUT SPEED(RPM) | | 2000 |
| NOISE(dB) | | <=55 |
| WATERPROOF RATING | | IP54 |
| LIFE(h) | | 20000 |
| WORKING TEMPERATURE | | -20°C~150°C[-4°F~302°F] |

DIMENSIONS ARE IN MILLIMETERS.
TOLERANCES AS BELOW:
DECIMALS ANGLES
X ±0.5 ±2°
X.X ±0.25
X.XX ±0.13

| | |
|------------------------|-----------|
| THIRD ANGLE PROJECTION | |
| SIGNATURE | DATE |
| DRN MYX | 2.17.2025 |
| APVD LDJ | 2.17.2025 |

STEPPERONLINE®

GEARBOX

MGL23-G4-D8

| | | | | | |
|------|---|-------|-----|---------|-------|
| REV. | 0 | SCALE | 1:1 | DWG NO. | A4172 |
|------|---|-------|-----|---------|-------|