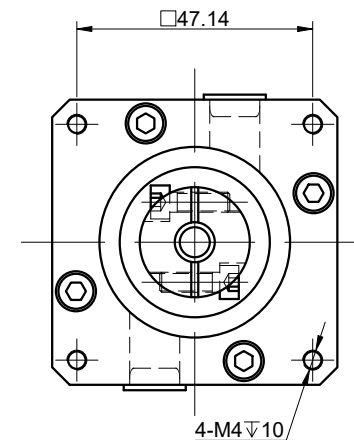
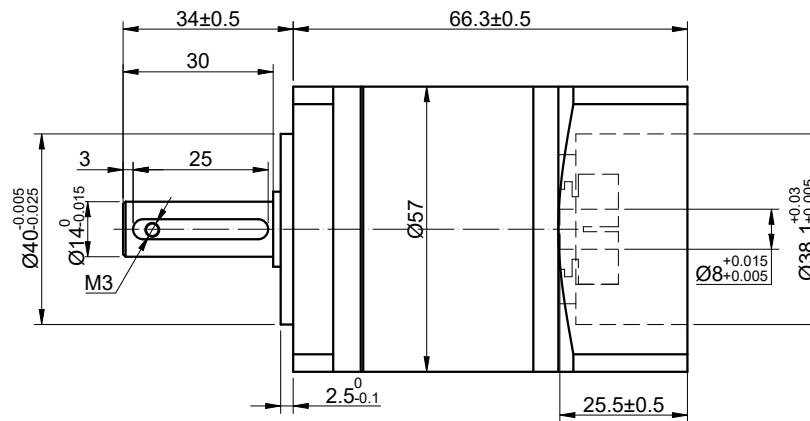
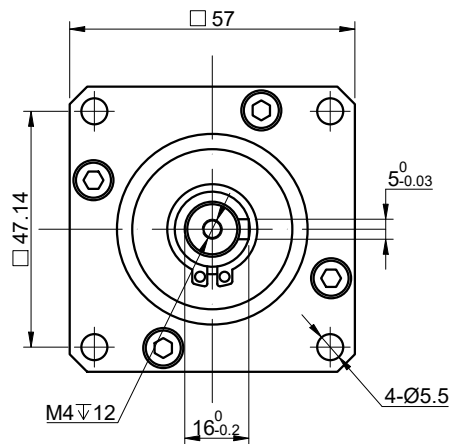


REV.	REVISION RECORD	BY	DATE
0	ORIGIN	MYX	2.17.2025



SPECIFICATION	CONNECTION	VALUE
GEAR RATIO		5
EFFICIENCY		90%
BACKLASH@NO-LOAD(arcmin)		<=30
MAX.PERMISSIBLE TORQUE(Nm)[lb-in]		10.00[88.51]
MOMENT PERMISSIBLE TORQUE(Nm)[lb-in]		20.00[177.02]
SHAFT MAXIMUM AXIAL LOAD(N)		100
SHAFT MAXIMUM RADIAL LOAD(N)		300
GEARBOX MATCHING MOTOR'S INPUT SHAFT LENGTH (mm)		20~25
RATED INPUT SPEED(RPM)		1000
MAX. INPUT SPEED(RPM)		2000
NOISE(dB)		<=55
WATERPROOF RATING		IP54
LIFE(h)		20000
WORKING TEMPERATURE		-20°C~150°C[-4°F~302°F]

DIMENSIONS ARE IN MILLIMETERS.  
TOLERANCES AS BELOW:  
DECIMALS ANGLES  
X ±0.5 ±2°  
X.X ±0.25  
X.XX ±0.13

THIRD ANGLE PROJECTION		
SIGNATURE		DATE
DRN	MYX	2.17.2025
APVD	LDJ	2.17.2025

**STEPPERONLINE®**

**GEARBOX**

**MGL23-G5-D8**

REV.	0	SCALE	1:1	DWG NO.	A4173
------	---	-------	-----	---------	-------