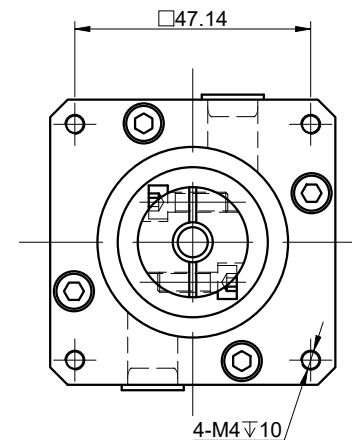
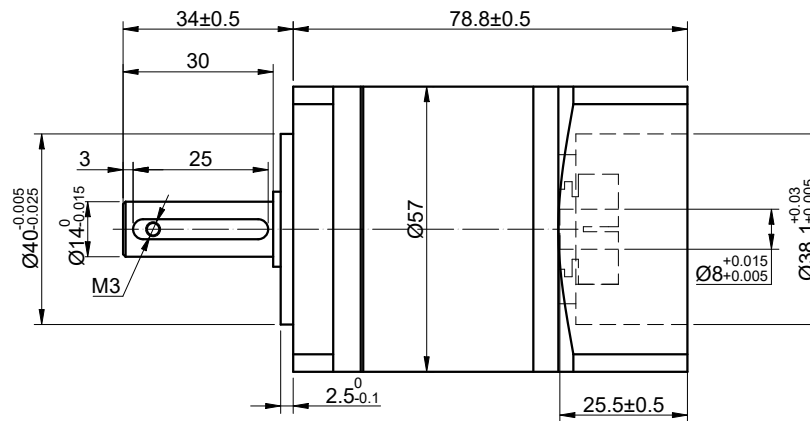
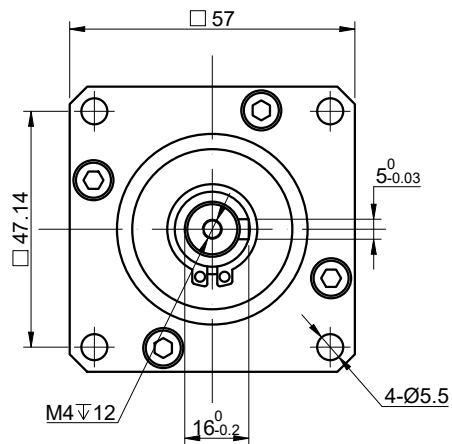


REV.	REVISION RECORD	BY	DATE
0	ORIGIN	MYX	2.17.2025



SPECIFICATION	CONNECTION	VALUE
GEAR RATIO		50
EFFICIENCY		80%
BACKLASH@NO-LOAD(arcmin)		<=45
MAX.PERMISSIBLE TORQUE(Nm)[lb-in]		20.00[177.02]
MOMENT PERMISSIBLE TORQUE(Nm)[lb-in]		40.00[354.04]
SHAFT MAXIMUM AXIAL LOAD(N)		100
SHAFT MAXIMUM RADIAL LOAD(N)		300
GEARBOX MATCHING MOTOR'S INPUT SHAFT LENGTH (mm)		20~25
RATED INPUT SPEED(RPM)		1000
MAX. INPUT SPEED(RPM)		2000
NOISE(dB)		<=55
WATERPROOF RATING		IP54
LIFE(h)		20000
WORKING TEMPERATURE		-20°C~150°C[-4°F~302°F]

DIMENSIONS ARE IN MILLIMETERS.
TOLERANCES AS BELOW:
DECIMALS ANGLES
X ±0.5 ±2°
X.X ±0.25
X.XX ±0.13

THIRD ANGLE
PROJECTION



SIGNATURE

DATE

DRN

MYX

2.17.2025

APVD

LDJ

2.17.2025

STEPPERONLINE®

GEARBOX

MGL23-G50-D8