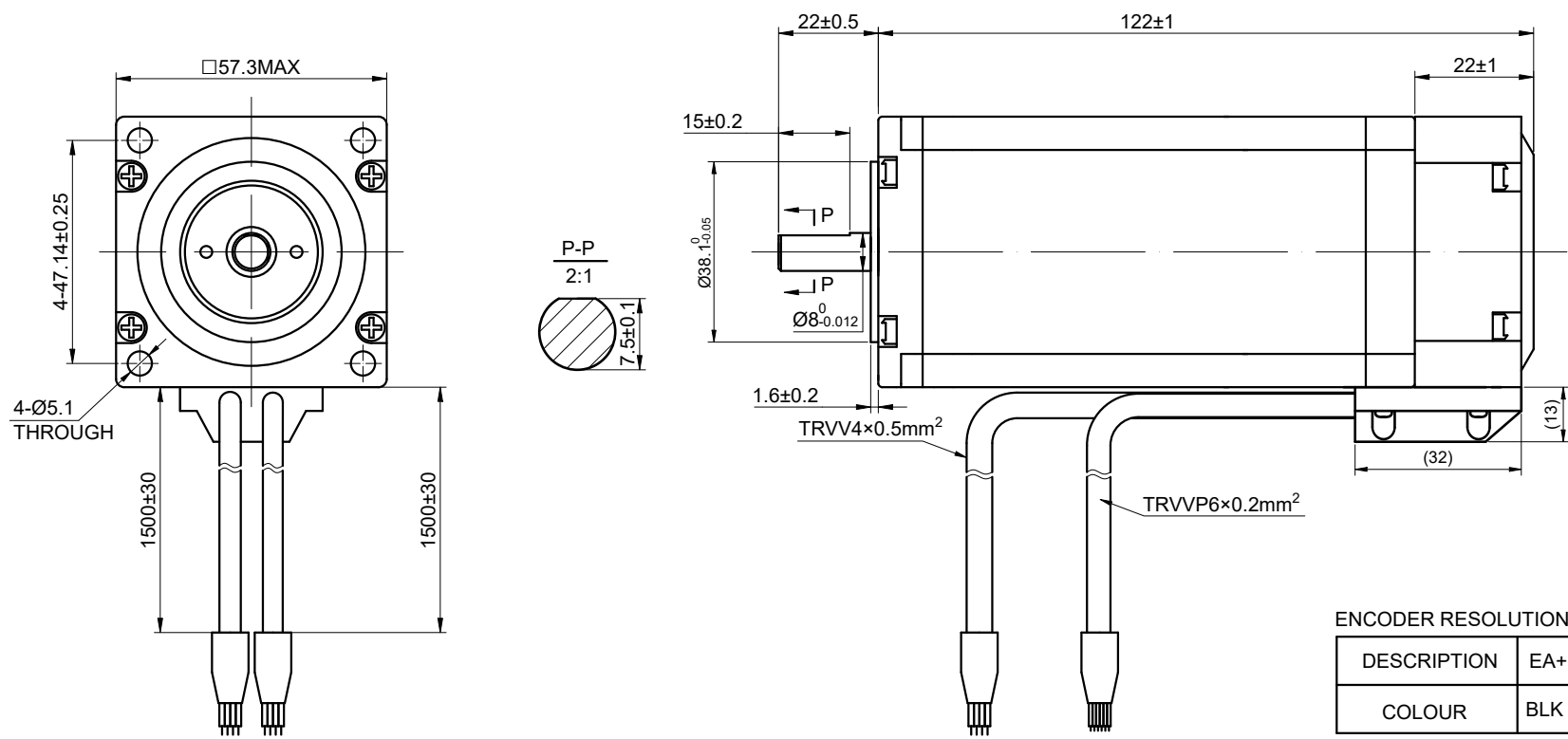


REV.	REVISION RECORD	BY	DATE
0	ORIGIN	YSX	12.30.2024

CUSTOMER'S MODEL: NO MODEL
 END COVER COLOR: BLACK



ENCODER RESOLUTION: 1000PPR(4000CPR)

DESCRIPTION	EA+	VCC	GND	EB+	EB-	EA-
COLOUR	BLK	RED	WHT	YEL	GRN	BLU

SPECIFICATION	CONNECTION	BIPOLAR
AMPS/PHASE		5.00
RESISTANCE/PHASE(Ohms)@25°C		0.7 ± 10%
INDUCTANCE/PHASE(mH)@1KHz		2.30 ± 20%
HOLDING TORQUE(Nm)[lb-in]		3.00[26.55]
STEP ANGLE(°)		1.8
STEP ACCURACY(NON-ACCUM)		±5.00%
ROTOR INERTIA(g-cm²)		660
WEIGHT(Kg)		1.80
AMBIENT TEMPERATURE		-10°C~50°C[14°F~122°F]
INSULATION CLASS		B 130°C[266°F]
TEMPERATURE RISE		MAX.80°C

COMMENT:
 1.DYNAMIC AXIAL LOAD: 15N MAX
 2.DYNAMIC RADIAL LOAD @ SHAFT LENGTH 20mm: 75N MAX
 3.TMBF 6000h OR MORE @ 24V/300RPM
 4.INSULATION RESISTANCE (NORMAL TEMPERATURE AND HUMIDITY): 100 Mohm
 5.DIELECTRIC STRENGTH 500VAC FOR 1MIN.(BETWEEN THE MOTOR COILS AND THE MOTOR CASE)

MOTOR CONNECTION		
COLOUR	BIPOLAR	WINDING
BLK	A+	
GRN	A-	
RED	B+	
BLU	B-	

FULL STEP 2 PHASE-Ex.,WHEN FACING MOUNTING END (X)						DIMENSIONS ARE IN MILLIMETERS.	
STEP	A+	B+	A-	B-	CCW	DECIMALS	ANGLES
1	+	+	-	-		X ±0.5	±2°
2	-	+	+	-		X.X ±0.25	
3	-	-	+	+		X.XX ±0.13	
4	+	-	-	+			

STEPPERONLINE®

STEPPER MOTOR

23HS40-5004D-E1K-1M5

REV.	0	SCALE	2:3	DWG NO.	A4043
------	---	-------	-----	---------	-------

SIGNATURE		DATE
DRN	YSX	12.30.2024
APVD	MYX	12.30.2024

THIS DOCUMENT SHALL NOT BE REPRODUCED NOR SHALL THE INFORMATION CONTAINED HEREIN BE USED BY OR DISCLOSED TO OTHERS UNLESS EXPRESSLY AUTHORIZED IN BY WRITING STEPPERONLINE.