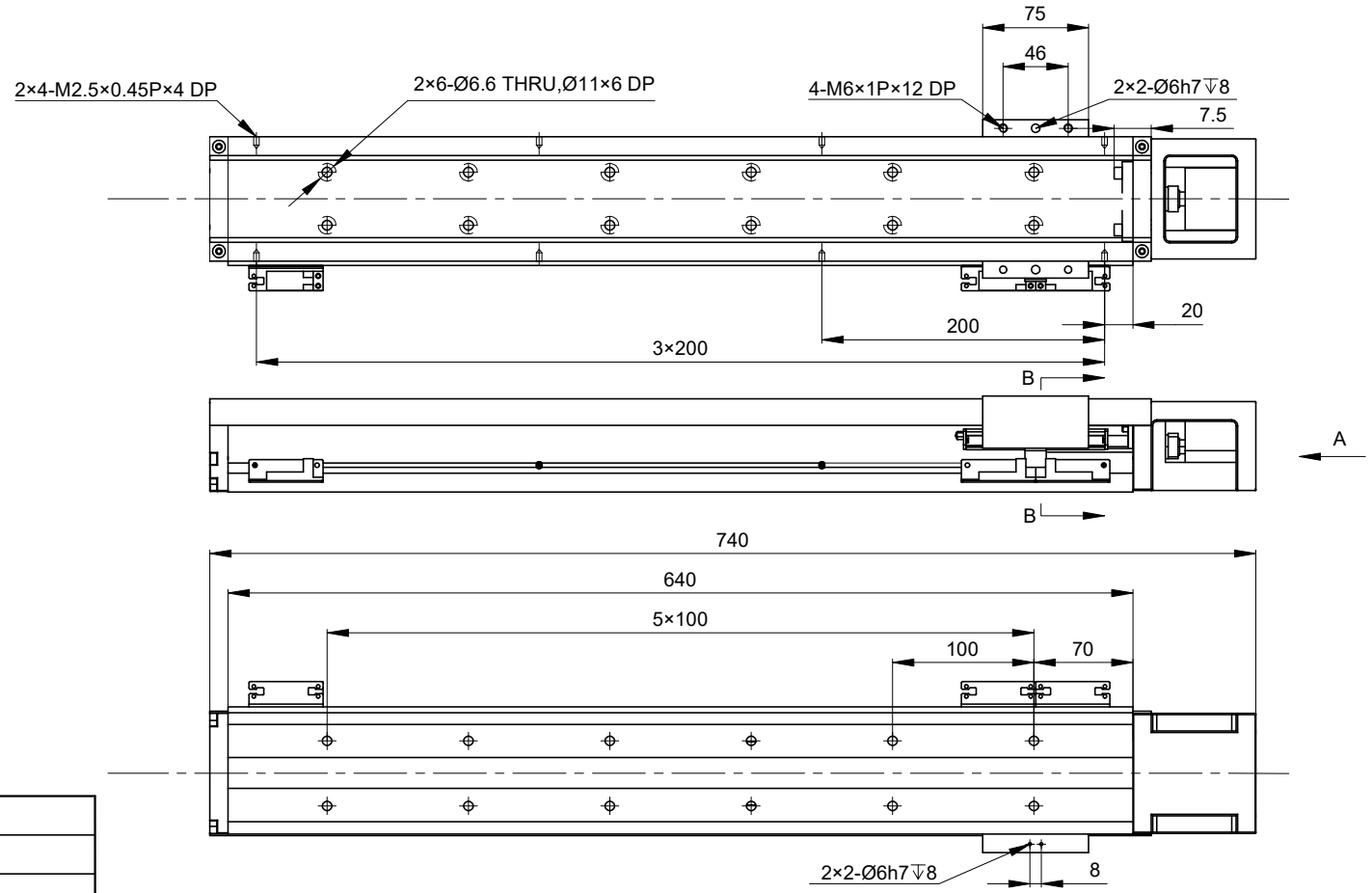
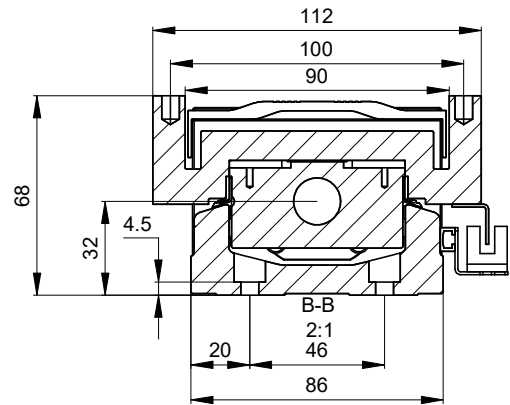
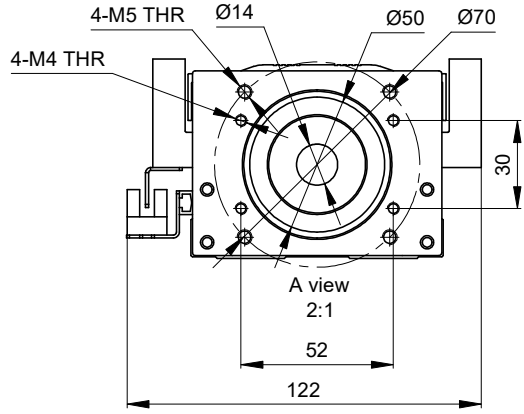


REV.	REVISION RECORD	BY	DATE
0	ORIGIN	LDJ	8.1.2025

CUSTOMER'S MODEL: NO MODEL
 END COVER COLOR: GREY



STROKE PITCH(mm)	510	
POSITION ACCURACY (mm)	±0.01	
BALL SCREW LEAD (mm)	10.00	
MAXIMUM SPEED (mm/s)	500.00	
MAXIMUM PAYLOAD(kg)	HORIZONTAL	40.00
	VERTICAL	12.00
RATED THRUST (N)	694.00	
BALL SCREW DIAMETER (mm)	C7/Ø15	
ORIGIN SENSOR	NPN	
INPUT SHAFT LENGTH (mm)	30.00	
INPUT SHAFT DIAMETER (mm)	14.00	
WEIGHT(Kg)[lb]	10.3[22.7]	

THIS DOCUMENT SHALL NOT BE REPRODUCED
 NOR SHALL THE INFORMATION CONTAINED
 HEREIN BE USED BY OR DISCLOSED TO OTHERS
 UNLESS EXPRESSLY AUTHORIZED IN BY WRITING
 STEPPERONLINE.

DIMENSIONS ARE IN MILLIMETERS.
 TOLERANCES AS BELOW:
 DECIMALS ANGLES
 X ±0.5 ±2°
 X.X ±0.25
 X.XX ±0.13

THIRD ANGLE PROJECTION	
SIGNATURE	DATE
DRN	LDJ
APVD	LJ

STEPPERONLINE®

STEPPER MOTOR LINEAR ACTUATOR

LK86-60DL10S3-510

REV.	0	SCALE	1:4	DWG NO.	A3963
------	---	-------	-----	---------	-------