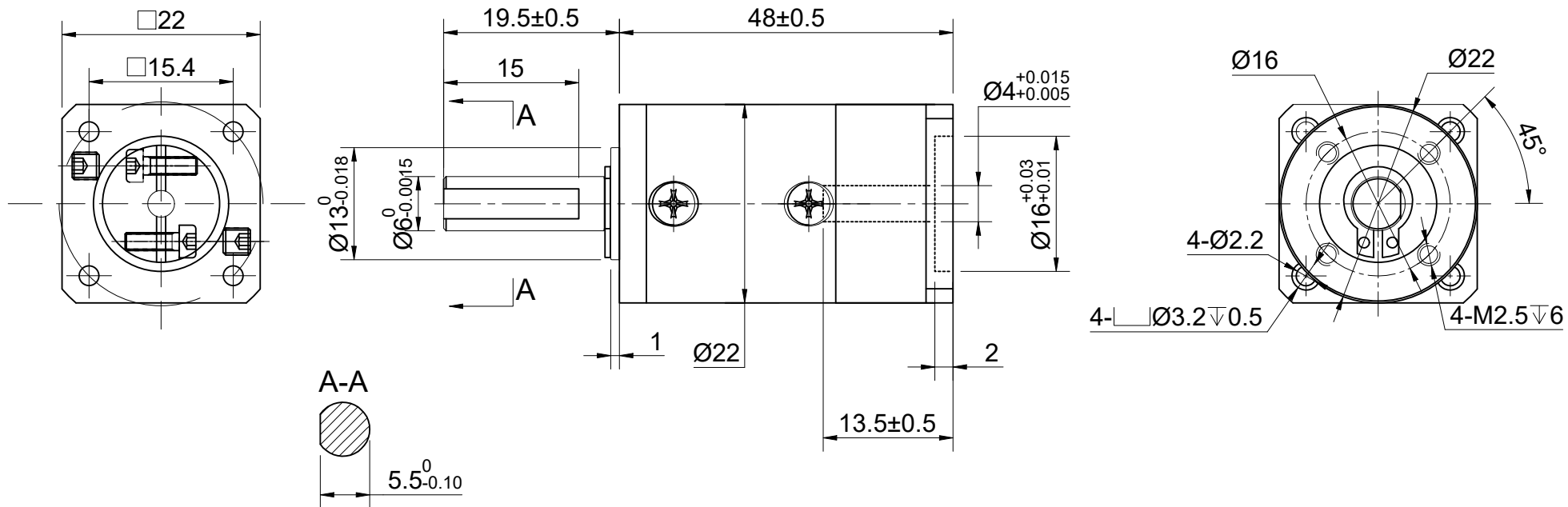


REV.	REVISION RECORD	BY	DATE
0	ORIGIN	LJ	10.30.2025



SPECIFICATION	CONNECTION	VALUE
GEAR RATIO		50
EFFICIENCY		94%
BACKLASH@NO-LOAD(arcmin)		<=20
MAX.PERMISSIBLE TORQUE(Nm)[lb-in]		3.00[26.55]
MOMENT PERMISSIBLE TORQUE(Nm)[lb-in]		6.00[53.10]
SHAFT MAXIMUM AXIAL LOAD(N)		100
SHAFT MAXIMUM RADIAL LOAD(N)		300
GEARBOX MATCHING MOTOR'S INPUT SHAFT LENGTH (mm)		6.5~10.5
RATED INPUT SPEED(RPM)		1000
MAX. INPUT SPEED(RPM)		2000
NOISE(dB)		<=55
WATERPROOF RATING		IP54
LIFE(h)		20000
WORKING TEMPERATURE		-20°C~150°C[-4°F~302°F]

DIMENSIONS ARE IN MILLIMETERS.
TOLERANCES AS BELOW:

DECIMALS	ANGLES
X ±0.5	±2°
X.X ±0.25	
X.XX ±0.13	

THIRD ANGLE PROJECTION

SIGNATURE		DATE
DRN	LJ	10.30.2025
APVD	MYX	10.30.2025

STEPPERONLINE®

PLANETARY GEARBOX

EGS8-G50

REV.	0	SCALE	2:3	DWG NO.	A3793
------	---	-------	-----	---------	-------