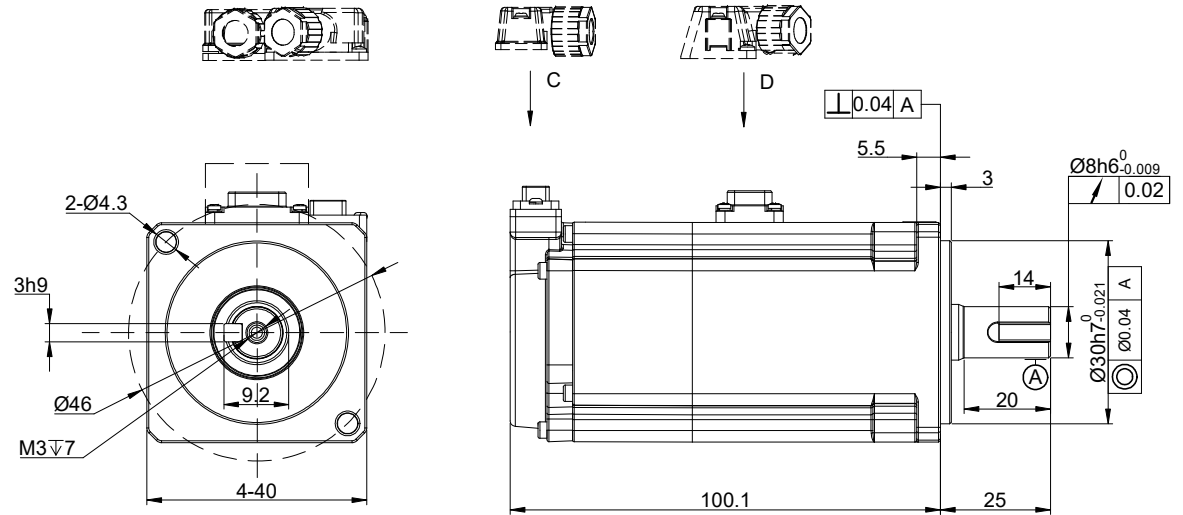


| SPECIFICATION | VALUE |
|---|----------------|
| RATED VOLTAGE(VAC) | 220 |
| RATED POWER(W) | 100 |
| RATED TORQUE(Nm) | 0.32 |
| PEAK TORQUE(Nm) | 1.12 |
| RATED SPEED(RPM) | 3000 |
| PEAK SPEED(RPM) | 6000 |
| RATED CURRENT(Amp) | 1.10 |
| PEAK CURRENT(Amp) | 3.90 |
| TORQUE CONST(Nm/Amp) | 0.33 |
| BACK EMF CONST(V/KRPM) | 20.10 |
| RESISTANCE(Ω) | 6.70 |
| INDUCTANCE(mH) | 7.81 |
| INERTIA(Kg•m ² •10 ⁻⁴) | 0.033 |
| POLES | 10 |
| ENCODER TYPE | 17bit magnetic |
| IP RATING | IP67 |
| WEIGHT(KG) | - |



| WIRING DETAILS OF POWER CABLE CONNECTOR | | | | | | | | |
|---|---|-------------|-----|-----|-----|---------|----|----|
| D | 4 | PIN No. | 1 | 2 | 3 | 4 | A | B |
| B | 3 | DESCRIPTION | V | U | W | PE | BK | BK |
| A | 2 | COLOR | BLK | WHT | RED | YEL/GRN | -- | -- |
| | 1 | | | | | | | |

| WIRING DETAILS OF ENCODER CABLE CONNECTOR | | | | | | | | | |
|---|---|-------------|----|----|---|---|-----|-----|----|
| C | 1 | PIN No. | 1 | 2 | 3 | 4 | 5 | 6 | 7 |
| | 2 | DESCRIPTION | 5V | 0V | - | - | PS+ | PS- | PE |
| | 3 | | - | - | - | - | - | - | - |
| | 4 | | | | | | | | |

| THE PART NUMBER OF CABLE FOR A6M40-100L2B1-M17 MOTOR | | |
|--|------------------|----|
| POWER CABLE | AS7-C-PWB075-3.0 | 3m |
| ENCODER CABLE | AS7-C-ENC075-3.0 | 3m |



| | | | |
|-------|-----------|-----|------------|
| | APVD | ZPJ | 10.25.2024 |
| | CHKD | | |
| 2:1 | DRN | LDJ | 10.24.2024 |
| SCALE | SIGNATURE | | DATE |

AC SERVO MOTOR
A6M40-100L2B1-M17