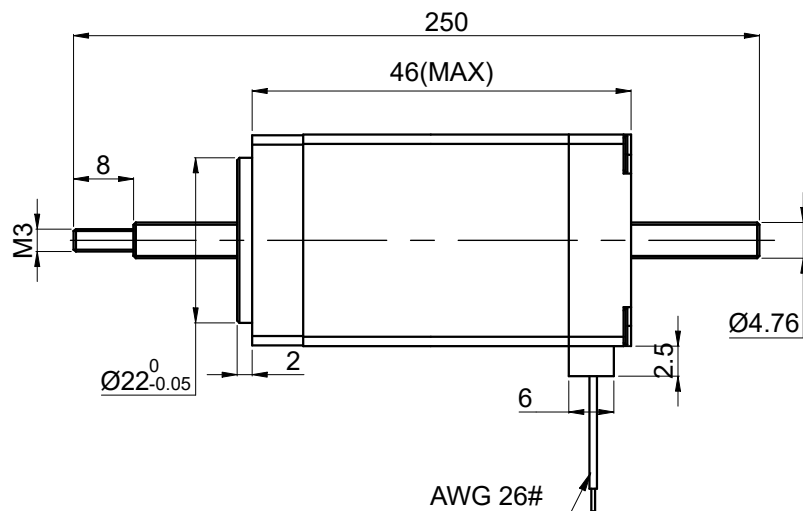
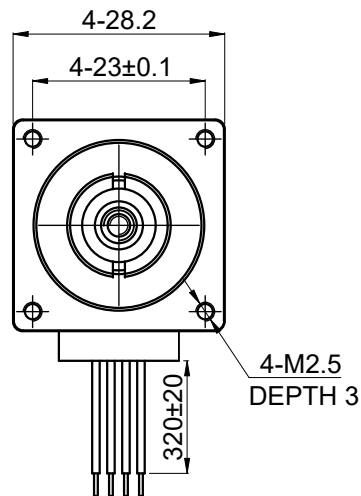


CUSTOMER'S MODEL: NO MODEL  
 END COVER COLOR: BLACK

| REV. | REVISION RECORD | BY  | DATE      |
|------|-----------------|-----|-----------|
| 0    | ORIGIN          | MYX | 2024.9.11 |



| SPECIFICATION               | CONNECTION | BIPOLAR                |
|-----------------------------|------------|------------------------|
| AMPS/PHASE                  |            | 1.00                   |
| RESISTANCE/PHASE(Ohms)@25°C |            | 3.70±10%               |
| INDUCTANCE/PHASE(mH)@1KHz   |            | 3.70±20%               |
| HOLDING TORQUE(Nm)[lb-in]   |            | 0.1[0.89]              |
| STEP ANGLE(°)               |            | 1.80                   |
| STEP ACCURACY(NON-ACCUM)    |            | ±5.00%                 |
| LEAD(mm)                    |            | 0.635                  |
| LINEAR TRAVEL/STEP(mm)      |            | 0.003175               |
| AMBIENT TEMPERATURE         |            | -10°C~50°C[14°F~122°F] |
| INSULATION CLASS            |            | B 130°C[266°F]         |
| TEMPERATURE RISE            |            | MAX.80°C               |
| AMBIENT HUMIDITY            |            | MAX.85%                |

COMMENT:  
 1.TMBF 6000h OR MORE @ 24V/300RPM  
 2.INSULATION RESISTANCE (NORMAL TEMPERATURE AND HUMIDITY): 100 Mohm  
 3.DIELECTRIC STRENGTH 500VAC FOR 1MIN.(BETWEEN THE MOTOR COILS AND THE MOTOR CASE )

| MOTOR CONNECTION |         |         |         |
|------------------|---------|---------|---------|
| PIN NO           | BIPOLAR | LEADS   | WINDING |
| 1                | A+      | RED     |         |
| 2                | A-      | RED/WHT |         |
| 3                | B+      | GRN     |         |
| 4                | B-      | GRN/WHT |         |

| FULL STEP 2 PHASE-Ex.,WHEN FACING MOUNTING END (X) |    |    |    |    |     | DIMENSIONS ARE IN MILLIMETERS. |        |
|--|----|----|----|----|-----|--------------------------------|--------|
| STEP   | A+ | B+ | A- | B- | CCW | DECIMALS                       | ANGLES |
| 1  | +  | +  | -  | -  |     | X ±0.5                         | ±2°    |
| 2  | -  | +  | +  | -  |     | X.X ±0.25                      |        |
| 3  | -  | -  | +  | +  |     | X.XX ±0.13                     |        |
| 4  | +  | -  | -  | +  |     |                                |        |

**STEPPERONLINE®**

LINEAR ACTUATOR

11N18S1004ED5-250RS

THIS DOCUMENT SHALL NOT BE REPRODUCED NOR SHALL THE INFORMATION CONTAINED HEREIN BE USED BY OR DISCLOSED TO OTHERS UNLESS EXPRESSLY AUTHORIZED IN BY WRITING STEPPERONLINE.

| SIGNATURE |     | DATE      |
|-----------|-----|-----------|
| DRN       | MYX | 2024.9.11 |
| APVD      | LDJ | 2024.9.11 |