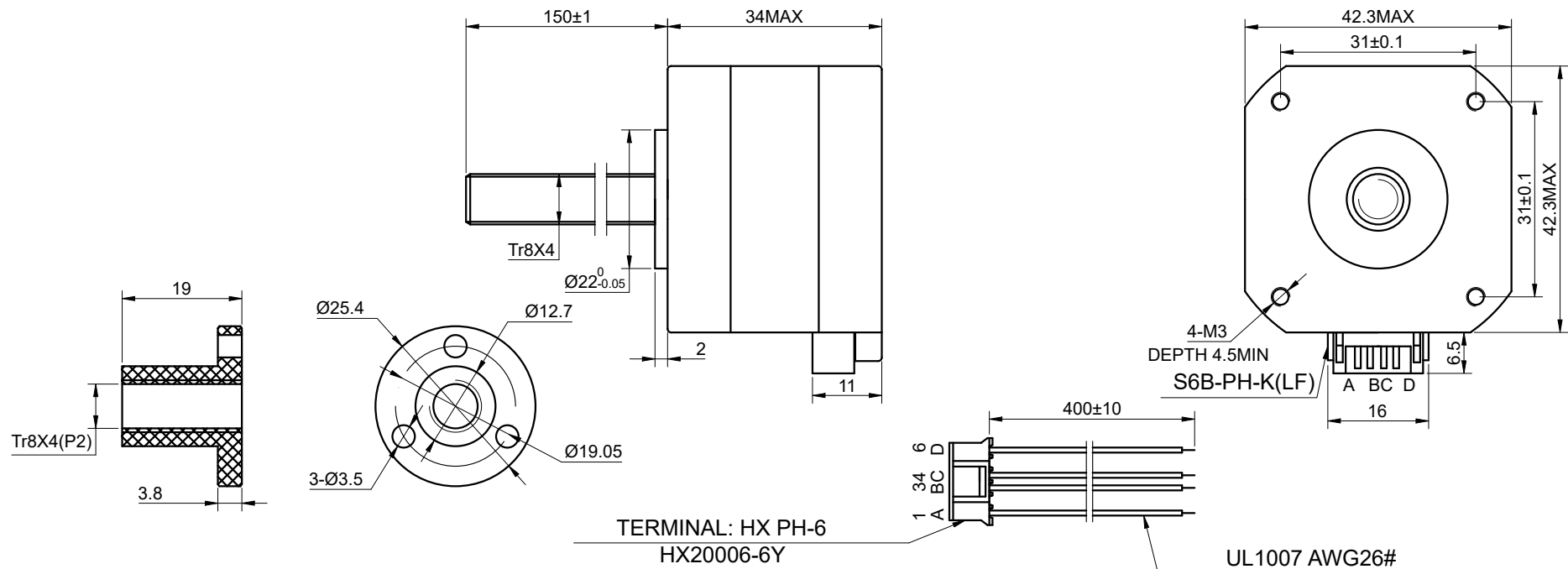


REV.	REVISION RECORD	BY	DATE
0	ORIGIN	MYX	8.16.2024

CUSTOMER'S MODEL: NO MODEL
 END COVER COLOR: BLACK



SPECIFICATION	CONNECTION	BIPOLAR
AMPS/PHASE		0.40
RESISTANCE/PHASE(Ohms)@25°C		30.00±10%
INDUCTANCE/PHASE(mH)@1KHz		37.00±20%
HOLDING TORQUE(Nm)[lb-in]		0.26[2.30]
STEP ANGLE(°)		1.80
STEP ACCURACY(NON-ACCUM)		±5.00%
LEAD(mm)		4
LINEAR TRAVEL/STEP(mm)		0.02
AMBIENT TEMPERATURE		-10°C~50°C[14°F~122°F]
INSULATION CLASS		B 130°C[266°F]
TEMPERATURE RISE		MAX.80°C
AMBIENT HUMIDITY		MAX.85%

FULL STEP 2 PHASE-Ex.,WHEN FACING MOUNTING END (X)						DIMENSIONS ARE IN MILLIMETERS.		
STEP	A+	B+	A-	B-		CCW	TOLERANCES AS BELOW:	
1	+	+	-	-			DECIMALS	
2	-	+	+	-			X ±0.5	ANGLES
3	-	-	+	+			X.X ±0.25	±2°
4	+	-	-	+			X.XX ±0.13	
						THIRD ANGLE PROJECTION		

MOTOR CONNECTION			
PIN NO	BIPOLAR	LEADS	WINDING
1	A+	RED	
4	A-	GRY	
3	B+	YEL	
6	B-	GRN	

STEPPERONLINE®

LINEAR ACTUATOR

17E13S0404DB4-150RS

REV.	0	SCALE	1:1	DWG NO.	A3612
------	---	-------	-----	---------	-------

SIGNATURE		DATE
DRN	MYX	8.16.2024
APVD	HW	8.16.2024