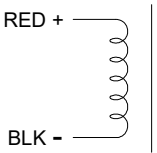
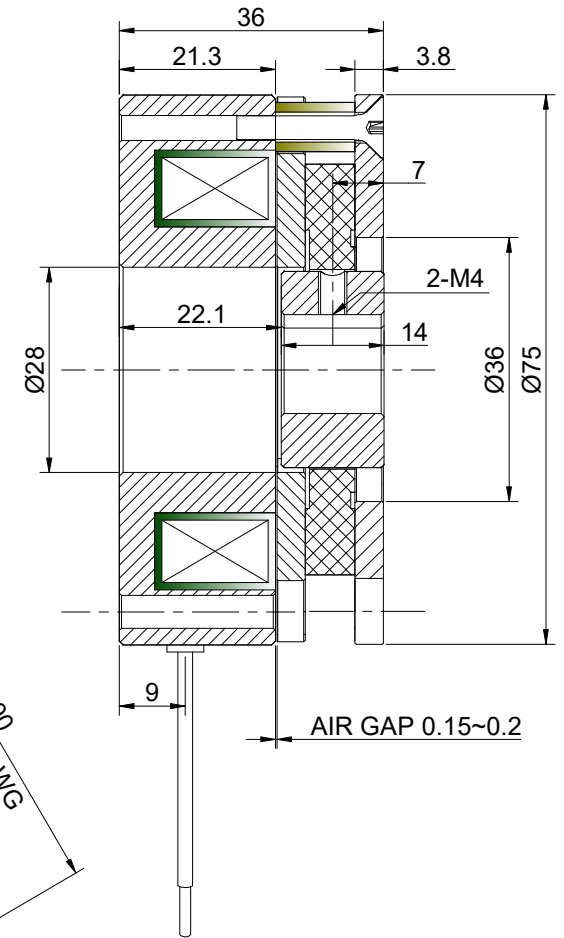
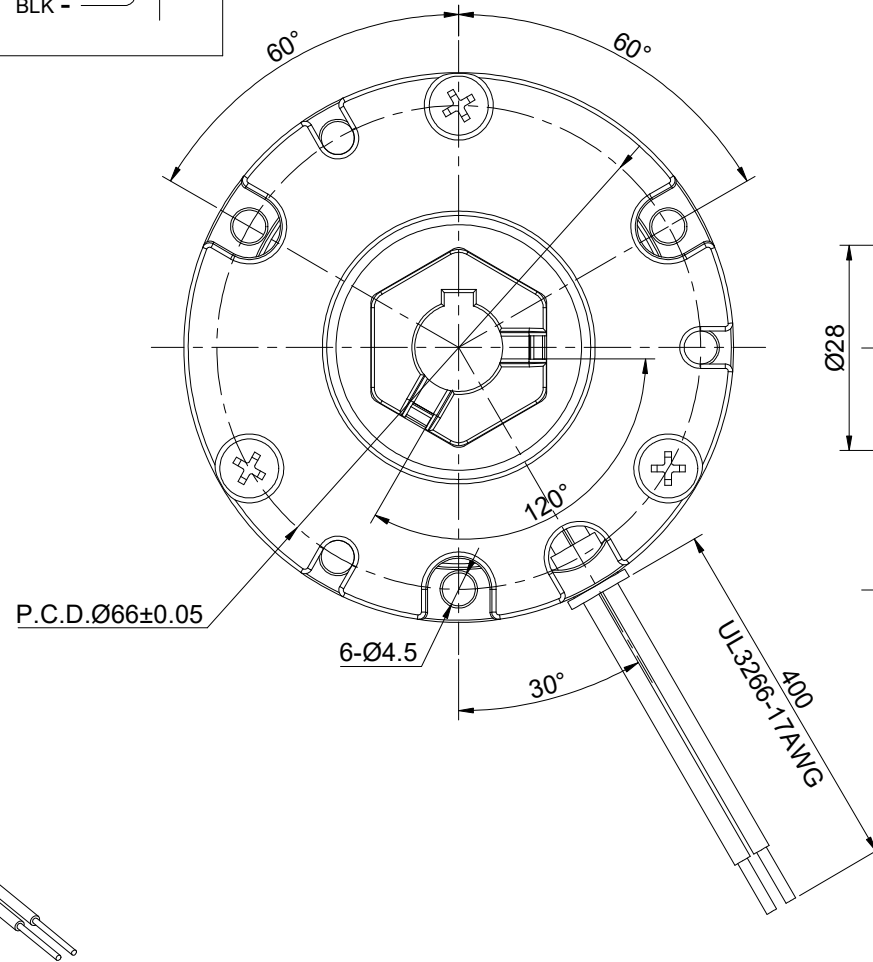
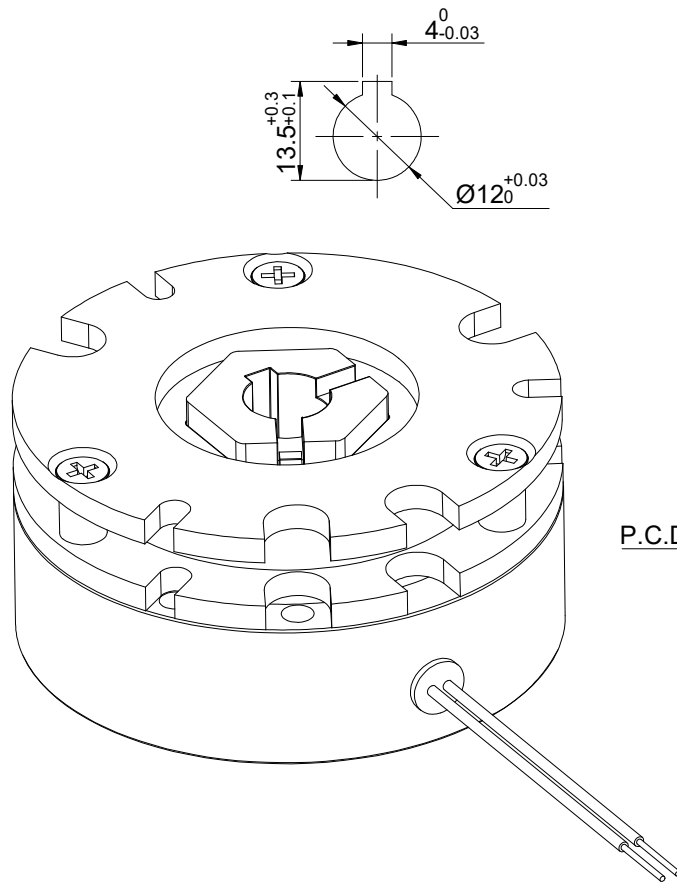


PARAMETER LIST

STATIC FRICTION TORQUE(Nm)	4.0	BRAKE CONNECTIONS RED +  BLK -
RATED VOLTAGE(V)@ 20°C	DC24±10%	
RATED POWER(W)@20°C	13±10%	
MAX SPEED(RPM)	5000	
HEAT-RESISTANCE CLASS	F	
WEIGHT(Kg)	0.8	



STEPPERONLINE®

	APVD	ZPJ	8.23.2023
	CKAD		
1:1	DRN	LDJ	8.23.2023
SCALE	SIGNATURE	DATE	

NON EXCITED BRAKE

SWB-05