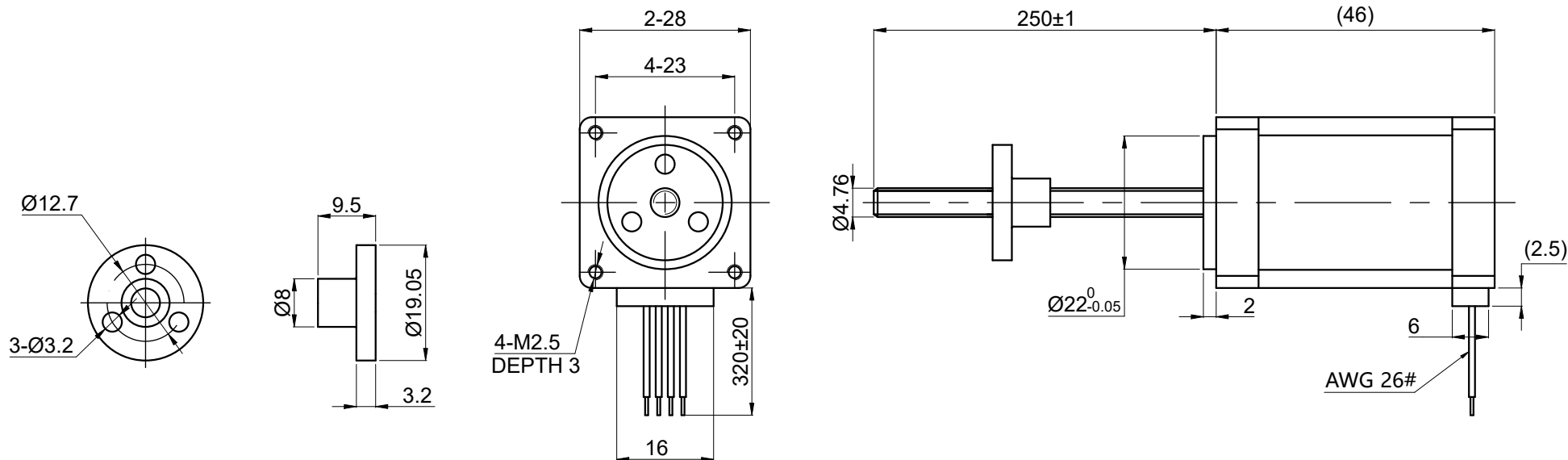


CUSTOMER'S MODEL: NO MODEL
 END COVER COLOR: BLACK

| REV. | REVISION RECORD | BY | DATE |
|------|-----------------|-----|----------|
| 0 | ORIGIN | MYX | 2024.9.4 |



| SPECIFICATION | CONNECTION | BIPOLAR |
|-----------------------------|------------|------------------------|
| AMPS/PHASE | | 1 |
| RESISTANCE/PHASE(Ohms)@25°C | | 3.70±10% |
| INDUCTANCE/PHASE(mH)@1KHz | | 3.70±20% |
| HOLDING TORQUE(Nm)[lb-in] | | 0.1[0.07] |
| STEP ANGLE(°) | | 1.80 |
| STEP ACCURACY(NON-ACCUM) | | ±5.00% |
| LEAD(mm) | | 2.54 |
| LINEAR TRAVEL/STEP(mm) | | 0.0127 |
| AMBIENT TEMPERATURE | | -10°C~50°C[14°F~122°F] |
| INSULATION CLASS | | B 130°C[266°F] |
| TEMPERATURE RISE | | MAX.80°C |
| AMBIENT HUMIDITY | | MAX.85% |

COMMENT:
 1.TMBF 6000h OR MORE @ 24V/300RPM
 2.INSULATION RESISTANCE (NORMAL TEMPERATURE AND HUMIDITY): 100 Mohm
 3.DIELECTRIC STRENGTH 500VAC FOR 1MIN.(BETWEEN THE MOTOR COILS AND THE MOTOR CASE)

| MOTOR CONNECTION | | | |
|------------------|---------|---------|---------|
| PIN NO | BIPOLAR | LEADS | WINDING |
| 1 | A+ | RED | |
| 2 | A- | RED/WHT | |
| 3 | B+ | GRN | |
| 4 | B- | GRN/WHT | |

| FULL STEP 2 PHASE-Ex.,WHEN FACING MOUNTING END (X) | | | | | | DIMENSIONS ARE IN MILLIMETERS. | |
|--|----|----|----|----|---------------------|--------------------------------|--|
| STEP | A+ | B+ | A- | B- | CCW ↓ ↑ CW | THIRD ANGLE PROJECTION | TOLERANCES AS BELOW: DECIMALS ANGLES X ±0.5 ±2° X.X ±0.25 X.XX ±0.13 |
| 1 | + | + | - | - | | | |
| 2 | - | + | + | - | | | |
| 3 | - | - | + | + | | | |
| 4 | + | - | - | + | | | |

STEPPERONLINE®

LINEAR ACTUATOR

11E18S1004GD5-250RS

THIS DOCUMENT SHALL NOT BE REPRODUCED NOR SHALL THE INFORMATION CONTAINED HEREIN BE USED BY OR DISCLOSED TO OTHERS UNLESS EXPRESSLY AUTHORIZED IN BY WRITING STEPPERONLINE.

| SIGNATURE | | DATE |
|-----------|-----|----------|
| DRN | MYX | 2024.9.4 |
| APVD | LDJ | 2024.9.4 |