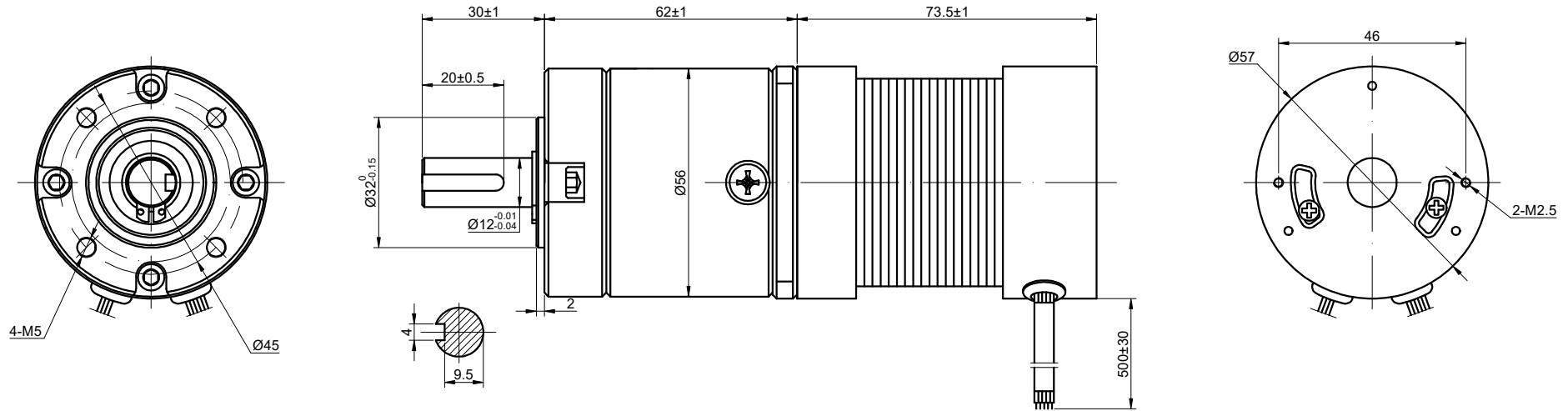


MODEL NO. 57BYA74-24-01-PG100 DWG NO. A3394

CUSTOMER'S MODEL: NO MODEL
END COVER COLOR: GRAY

REV.	REVISION RECORD	BY	DATE
0	ORIGIN	ZPJ	7.22.2024

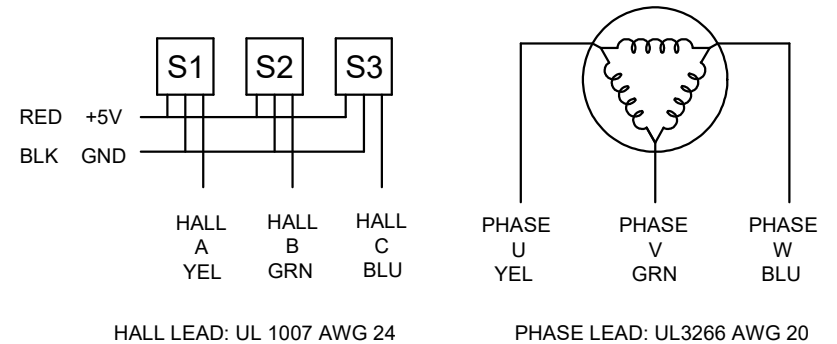


SPECIFICATION	VALUE
NO. of PHASES	3
NO. of POLES	4
RESISTANCE/PHASE(Ohms)@25°C	0.43±10%
INDUCTANCE/PHASE(mH)@1KHz	1.18±20%
RATED VOLTAGE(V)	24
RATED TORQUE w/o GEARBOX(N.m)	0.32
RATED POWER(W)	101
RATED CURRENT(A)	5.70
RATED SPEED w/o GEARBOX(RPM)	3000±10%
GEAR RATIO	99.5
EFFICIENCY	70.00%
BACKLASH@NO-LOAD	<=3°
BACK EMF(V/krpm)	4.80±5%
SENSOR	HALL
AMBIENT TEMPERATURE	-10°C~50°C[14°F~122°F]
INSULATION CLASS	B 130°C[266°F]
TEMPERATURE RISE	MAX.80°C

COMMENT:
1.INSULATION RESISTANCE (NORMAL TEMPERATURE AND HUMIDITY): 50 Mohm
2.DIELECTRIC STRENGTH: AC600V CUT OFF CURRENT 2mA FOR 1S

DIMENSIONS ARE IN MILLIMETERS.
TOLERANCES AS BELOW:
DECIMALS ANGLES
X ±0.5 ±2°
X.X ±0.25
X.XX ±0.13

THIRD ANGLE PROJECTION



STEPPERONLINE®

BRUSHLESS DC MOTOR

57BYA74-24-01-PG100

THIS DOCUMENT SHALL NOT BE REPRODUCED NOR SHALL THE INFORMATION CONTAINED HEREIN BE USED BY OR DISCLOSED TO OTHERS UNLESS EXPRESSLY AUTHORIZED IN BY WRITING STEPPERONLINE.

SIGNATURE		DATE
DRN	ZPJ	7.22.2024
APVD	LDJ	7.22.2024

REV.	0	SCALE	1:1	DWG NO.	A3394
------	---	-------	-----	---------	-------