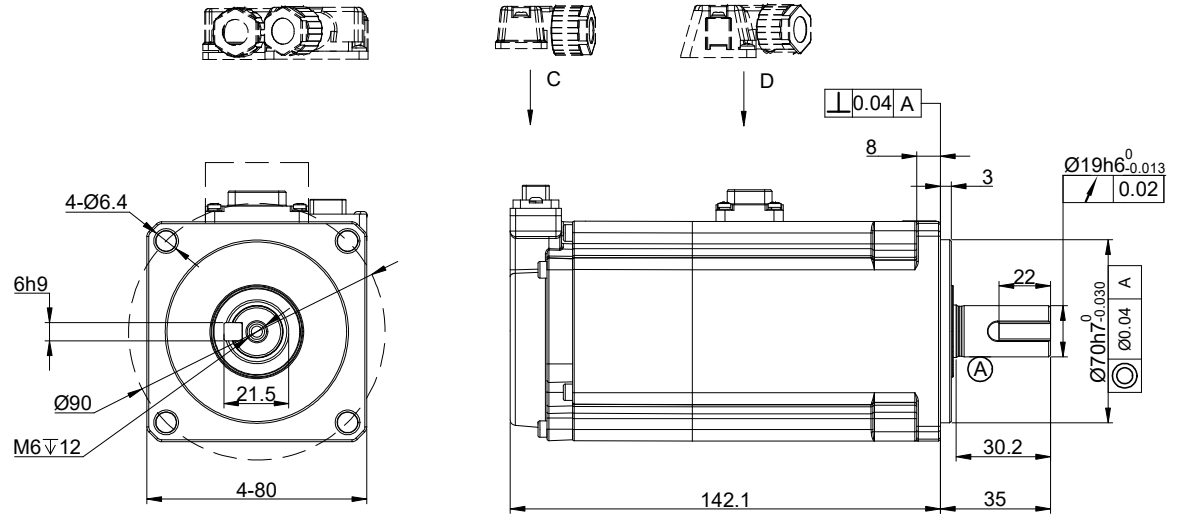


SPECIFICATION	VALUE
RATED VOLTAGE(VAC)	220
RATED POWER(W)	1000
RATED TORQUE(Nm)	3.18
PEAK TORQUE(Nm)	11.13
RATED SPEED(RPM)	3000
PEAK SPEED(RPM)	6000
RATED CURRENT(Amp)	6.30
PEAK CURRENT(Amp)	20.90
TORQUE CONST(Nm/Amp)	0.50
BACK EMF CONST(V/KRPM)	33.90
RESISTANCE(Ω)	0.35
INDUCTANCE(mH)	2.04
INERTIA(Kg•m <sup>2</sup> •10 <sup>-4</sup> )	2.28
POLES	10
ENCODER TYPE	17bit magnetic
IP RATING	IP67
WEIGHT(KG)	-



WIRING DETAILS OF POWER CABLE CONNECTOR							
	PIN No.	1	2	3	4	A	B
	DESCRIPTION	V	U	W	PE	BK	BK
	COLOR	BLK	WHT	RED	YEL/GRN	--	--

WIRING DETAILS OF ENCODER CABLE CONNECTOR								
	PIN No.	1	2	3	4	5	6	7
	DESCRIPTION	5V	0V	-	-	PS+	PS-	PE
	-	-	-	-	-	-	-	-

THE PART NUMBER OF CABLE FOR A6M80-1000H2B1-M17 MOTOR		
POWER CABLE	AS7-C-PWB075-3.0	3m
ENCODER CABLE	AS7-C-ENC075-3.0	3m



	APVD	HW	8.6.2024
	CHKD		
2:1	DRN	LDJ	8.5.2024
SCALE	SIGNATURE		DATE

**AC SERVO MOTOR**  
**A6M80-1000H2B1-M17**