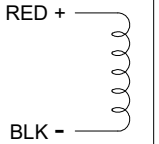
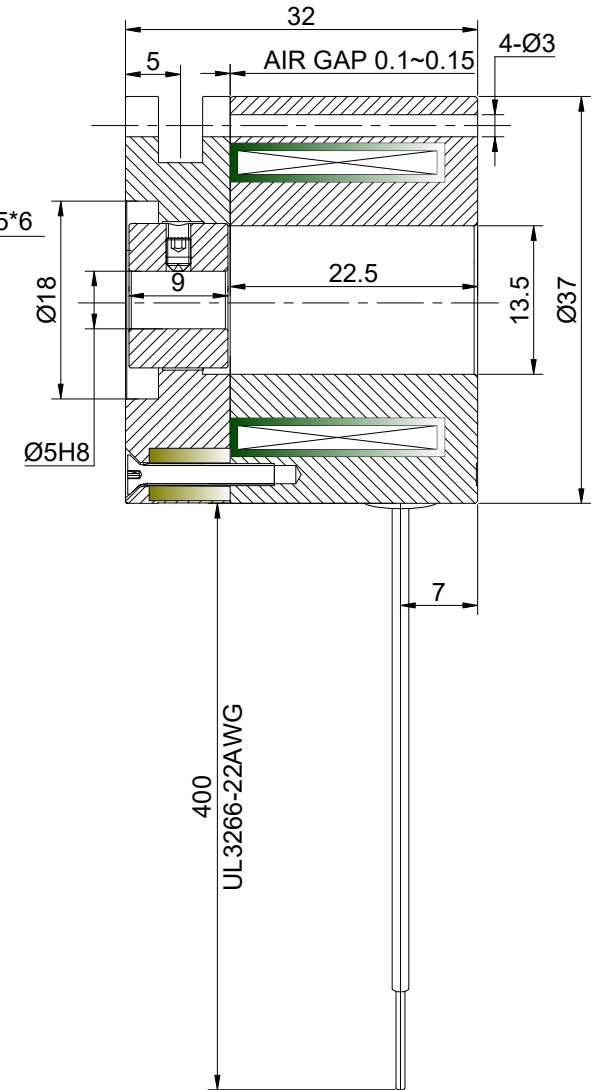
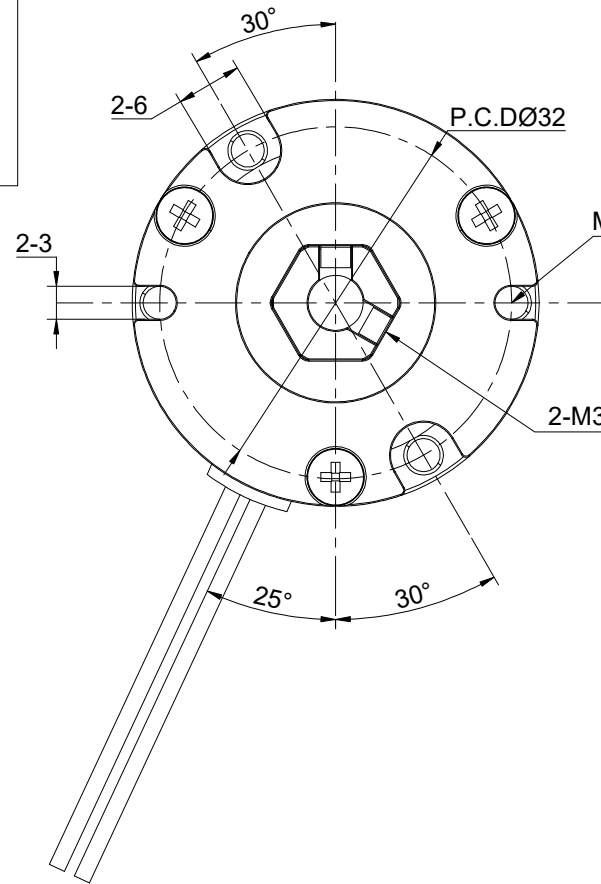
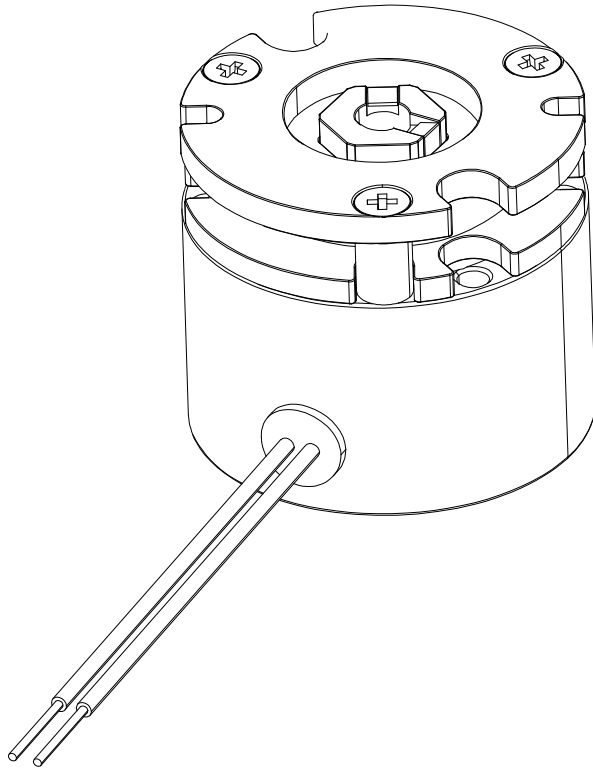


# PARAMETER LIST

STATIC FRICTION TORQUE(Nm)	0.25	BRAKE CONNECTIONS 
RATED VOLTAGE(V)@ 20°C	DC24±10%	
RATED POWER(W)@20°C	5.0±10%	
MAX SPEED(RPM)	5000	
HEAT-RESISTANCE CLASS	F	
WEIGHT(Kg)	0.2	



**STEPPERONLINE®**

	APVD	YSX	8.23.2023
	CKAD		
1:1.5	DRN	LDJ	8.23.2023
SCALE	SIGNATURE	DATE	

**NON EXCITED BRAKE**

**SWB-01**