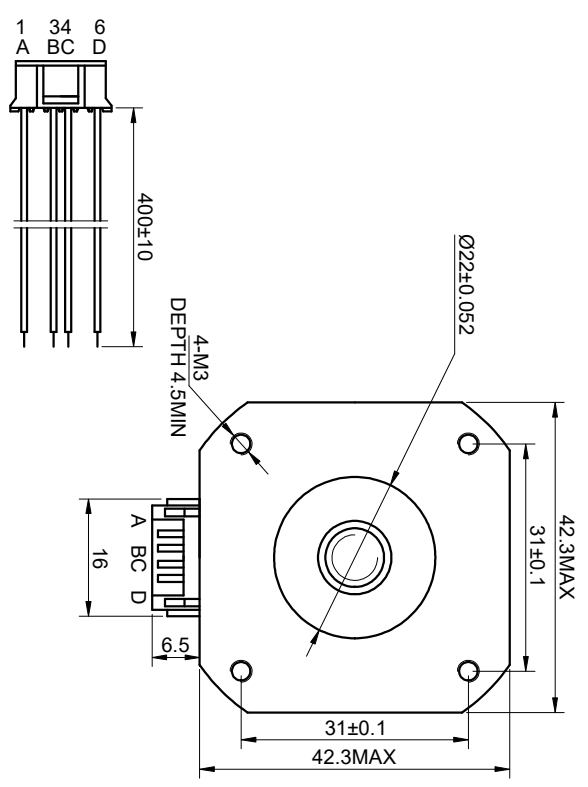
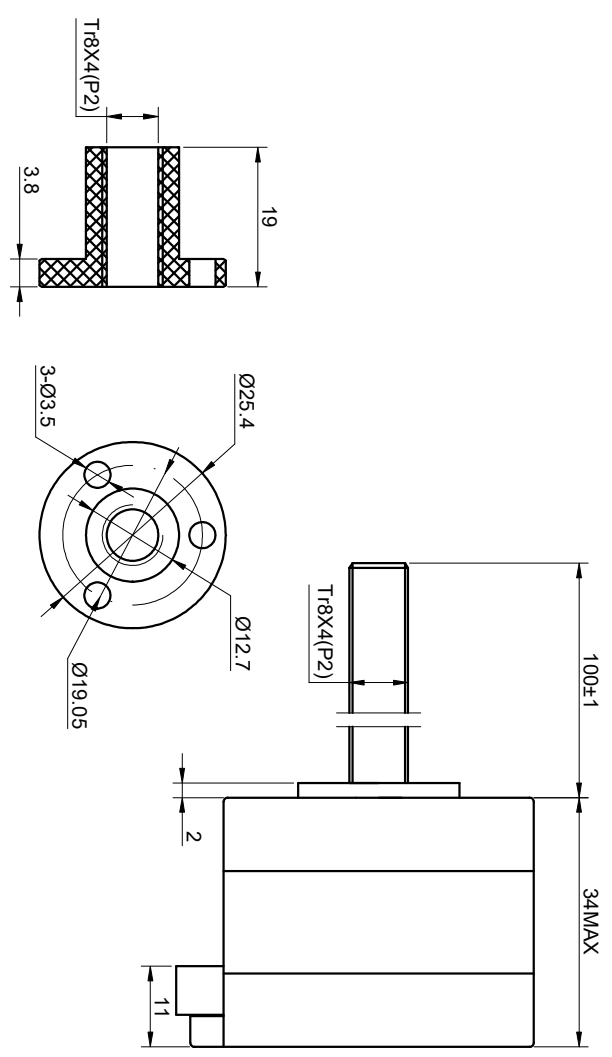


6746V ON GMD SR001-PBQD040S03E1E1L ON TEGDM

CUSTOMER'S MODEL: NO MODEL
END COVER COLOR: BLACK

REV.	REVISION RECORD	BY	DATE
0	ORIGIN	ZPJ	7.2.2024



SPECIFICATION	CONNECTION
AMPS/PHASE	BIPOLAR 0.40
RESISTANCE/PHASE(Ohms)@25°C	30.00±10%
INDUCTANCE/PHASE(mH)@1KHz	37.00±20%
HOLDING TORQUE(Nm)[Ib-In]	0.26[2.30]
STEP ANGLE(°)	1.80
STEP ACCURACY(NON-ACCUM)	±5.00%
LEAD(mm)	4
LINEAR TRAVEL/STEP(mm)	0.02
AMBIENT TEMPERATURE	-10°C~50°C[14°F~122°F]
INSULATION CLASS	B 130°C[266°F]
TEMPERATURE RISE	MAX.80°C
AMBIENT HUMIDITY	MAX.85%

COMMENT:
1. TMBF 6000h OR MORE @ 24V/3000RPM
2. INSULATION RESISTANCE (NORMAL TEMPERATURE AND HUMIDITY): 100 Mohm
3. DIELECTRIC STRENGTH 500VAC FOR 1MIN.(BETWEEN THE MOTOR COILS AND THE MOTOR CASE)

STEP	A+	B+	A-	B-	CCW	CW
1	+	+	-	-	←	→
2	-	+	+	-	←	→
3	-	-	-	+	←	→
4	+	-	+	+	←	→

FULL STEP 2 PHASE-EX. WHEN FACING MOUNTING END (X)
DIMENSIONS ARE IN MILLIMETERS.
TOLERANCES AS BELOW:
DECIMALS ANGLES
X ±0.5 ±2°
X.X ±0.25
X.XX ±0.13
THIRD ANGLE PROJECTION

THIS DOCUMENT SHALL NOT BE REPRODUCED NOR SHALL THE INFORMATION CONTAINED HEREIN BE USED BY OR DISCLOSED TO OTHERS UNLESS EXPRESSLY AUTHORIZED IN BY WRITING STEPPERONLINE.	SIGNATURE	DATE
	DRN ZPJ	7.2.2024
	APVD LDJ	7.2.2024

MOTOR CONNECTION			
PIN NO	BIPOLAR	LEADS	WINDING
1	A+	RED	A+
4	A-	GRY	A-
3	B+	YEL	B+
6	B-	GRN	B-

STEPPERONLINE®

STEPPER MOTOR

17E13S0404DB4-100RS

REV.	0	SCALE	1:1	DWG. NO.	A3443
------	---	-------	-----	----------	-------