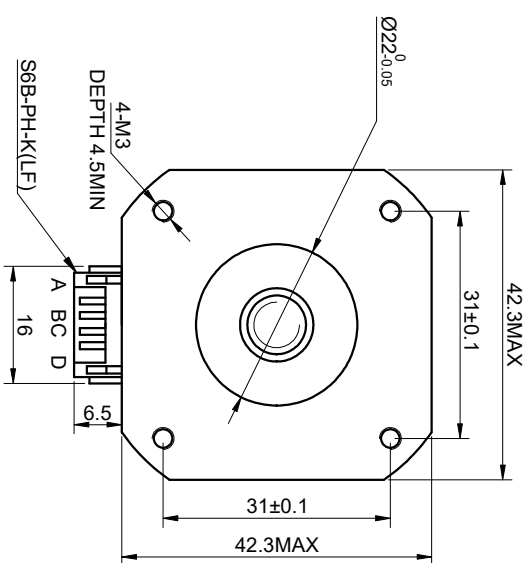
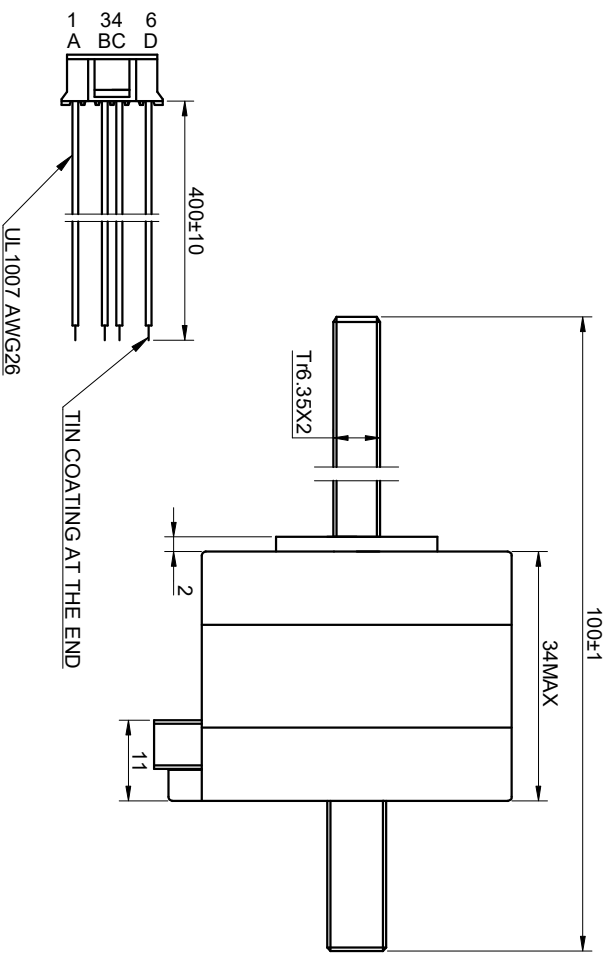


869E V ON GMD SR001-F4V0404AF4-100RS ON TEGOM

CUSTOMER'S MODEL: NO MODEL
END COVER COLOR: BLACK

REV.	REVISION RECORD	BY	DATE
0	ORIGIN	HW	8.14.2024



SPECIFICATION	CONNECTION	BIPOLAR
AMPS/PHASE		0.40
RESISTANCE/PHASE(Ohms)@25°C		30.00±10%
INDUCTANCE/PHASE(mH)@1KHz		37.00±20%
HOLDING TORQUE(Nm)[lb-in]		0.26[2.30]
STEP ANGLE(°)		1.80
STEP ACCURACY(NON-ACCUM)		±5.00%
LEAD(mm)		2
LINEAR TRAVEL/STEP(mm)		0.01
AMBIENT TEMPERATURE		-10°C~50°C[14°F~122°F]
INSULATION CLASS		B 130°C[266°F]
TEMPERATURE RISE		MAX.80°C
AMBIENT HUMIDITY		MAX.85%

STEP	A+	B+	A-	B-	CCW	CW
1	+	+	-	-	←	→
2	-	+	+	-	←	→
3	-	-	+	+	←	→
4	+	-	-	+	←	→

FULL STEP 2 PHASE-EX. WHEN FACING MOUNTING END (X)
THIS DOCUMENT SHALL NOT BE REPRODUCED
NOR SHALL THE INFORMATION CONTAINED
HEREIN BE USED BY OR DISCLOSED TO
OTHERS UNLESS EXPRESSLY AUTHORIZED IN
BY WRITING STEPPERONLINE.

STEPPERONLINE®

STEPPER MOTOR

17N13S0404AF4-100RS

PIN NO	BIPOLAR	LEADS	WINDING
1	A+	RED	A+
3	A-	GRY	A-
4	B+	YEL	B+
6	B-	GRN	B-

REV.	0	SCALE	1:1	DWG. NO.	A3598
APVD	LDJ	DRN	HW	DATE	8.14.2024