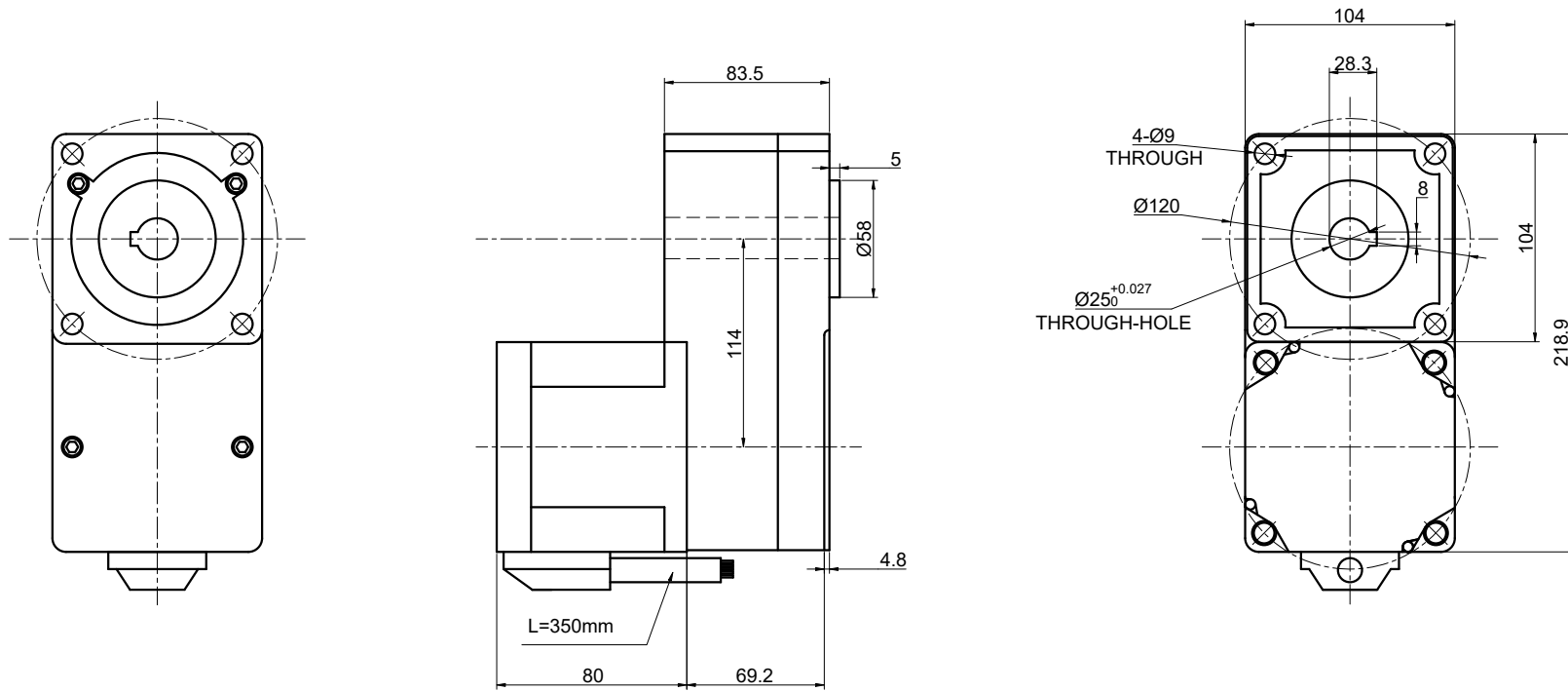


CUSTOMER'S MODEL: NO MODEL  
 END COVER COLOR: BLUE

REV.	REVISION RECORD	BY	DATE
0	ORIGIN	ZPJ	12.31.2025

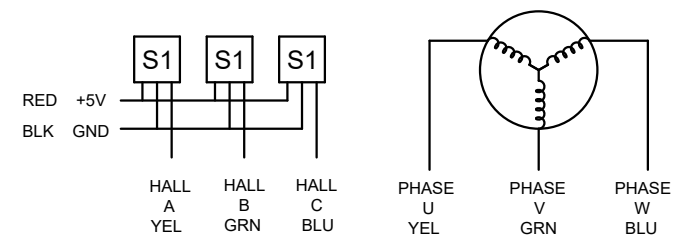


SPECIFICATION	VALUE
NO. of PHASES	3
NO. of POLES	10
RATED VOLTAGE(V):	48
RATED POWER(W):	250
RATED LOAD SPEED(RPM):	20
RATED LOAD TORQUE(N.m):	70
RATED CURRENT(A):	6.5
GEAR RATIO	150
MAX.PERMISSIBLE TORQUE(N.m)	93
AMBIENT TEMPERATURE	-10°C~40°C[14°F~104°F]
INSULATION CLASS	E 120°C[248°F]
TEMPERATURE RISE	MAX.80°C

THIS DOCUMENT SHALL NOT BE REPRODUCED NOR SHALL THE INFORMATION CONTAINED HEREIN BE USED BY OR DISCLOSED TO OTHERS UNLESS EXPRESSLY AUTHORIZED IN BY WRITING STEPPERONLINE.

DIMENSIONS ARE IN MILLIMETERS.  
 TOLERANCES AS BELOW:  
 DECIMALS ANGLES  
 X ±0.5 ±2°  
 X.X ±0.25  
 X.XX ±0.13

THIRD ANGLE PROJECTION



**STEPPERONLINE®**

**GEARED BLDC MOTOR**

**F6B250-48GL-30S/6GL150RC**

SIGNATURE		DATE	REV.				SCALE	1:1	DWG NO.	A5638
DRN	ZPJ	12.31.2025	0							
APVD	MYX	12.31.2025								