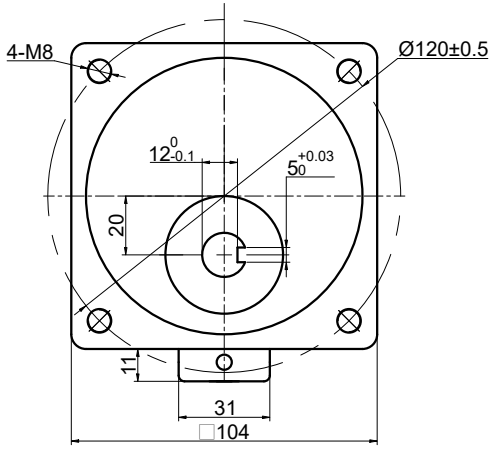
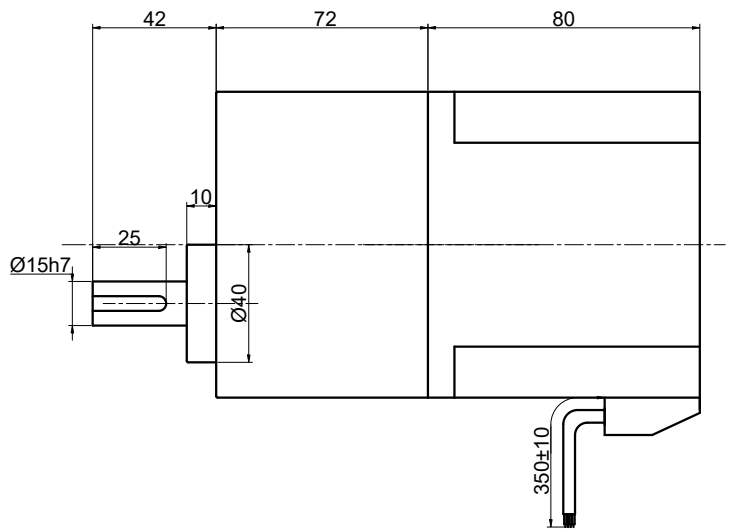


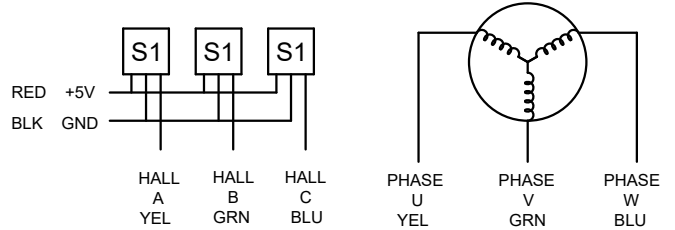
CUSTOMER'S MODEL: NO MODEL  
 END COVER COLOR: BLUE

REV.	REVISION RECORD	BY	DATE
0	ORIGIN	LJ	12.30.2025



SPECIFICATION	VALUE
NO. of PHASES	3
NO. of POLES	10
RATED VOLTAGE(V):	48
RATED POWER(W):	200
RATED LOAD SPEED(RPM):	15
RATED LOAD TORQUE(N.m):	40
RATED CURRENT(A):	5.5
GEAR RATIO	200
MAX.PERMISSIBLE TORQUE(Nm)	40
AMBIENT TEMPERATURE	-10°C~40°C[14°F~104°F]
INSULATION CLASS	E 120°C[248°F]
TEMPERATURE RISE	MAX.80°C

THIS DOCUMENT SHALL NOT BE REPRODUCED NOR SHALL THE INFORMATION CONTAINED HEREIN BE USED BY OR DISCLOSED TO OTHERS UNLESS EXPRESSLY AUTHORIZED IN BY WRITING STEPPERONLINE.



DIMENSIONS ARE IN MILLIMETERS.  
 TOLERANCES AS BELOW:  
 DECIMALS ANGLES  
 X ±0.5 ±2°  
 X.X ±0.25  
 X.XX ±0.13

THIRD ANGLE PROJECTION

<b>STEPPERONLINE®</b>			
<b>GEARED BLDC MOTOR</b>			
<b>F6B200-48GU-30S/6GU200K</b>			
REV.	0	SCALE	1:1
DWG NO.	A5470	DATE	12.30.2025

SIGNATURE		DATE
DRN	LJ	12.30.2025
APVD	YSX	12.30.2025