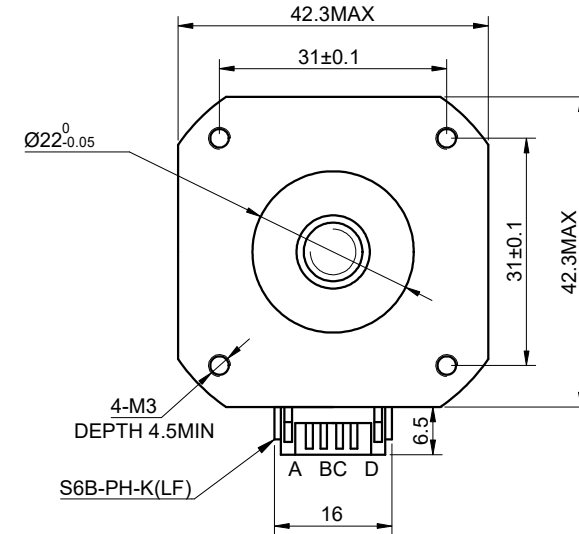
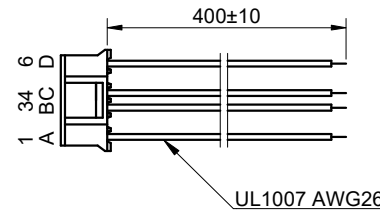
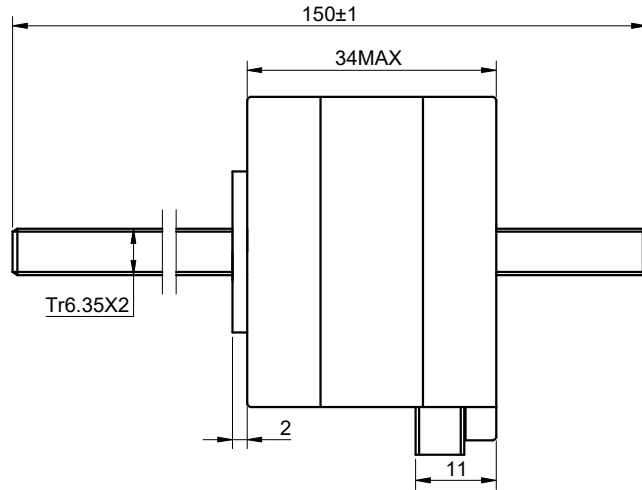


MODEL NO. 17N13S0404AF4-150RS DWG NO. A3525

CUSTOMER'S MODEL: NO MODEL
END COVER COLOR: BLACK

REV.	REVISION RECORD	BY	DATE
0	ORIGIN	HW	7.22.2024



CONNECTION	BIPOLAR
SPECIFICATION	
AMPS/PHASE	0.40
RESISTANCE/PHASE(Ohms)@25°C	30.00±10%
INDUCTANCE/PHASE(mH)@1KHz	37.00±20%
HOLDING TORQUE(Nm)[lb-in]	0.26[2.30]
STEP ANGLE(°)	1.80
STEP ACCURACY(NON-ACCUM)	±5.00%
LEAD(mm)	2
LINEAR TRAVEL/STEP(mm)	0.01
AMBIENT TEMPERATURE	-10°C~50°C[14°F~122°F]
INSULATION CLASS	B 130°C[266°F]
TEMPERATURE RISE	MAX.80°C
AMBIENT HUMIDITY	MAX.85%

COMMENT:
1.TMBF 6000h OR MORE @ 24V/300RPM
2.INSULATION RESISTANCE (NORMAL TEMPERATURE AND HUMIDITY): 100 Mohm
3.DIELECTRIC STRENGTH 500VAC FOR 1MIN.(BETWEEN THE MOTOR COILS AND THE MOTOR CASE)

STEP	A+	B+	A-	B-
1	+	+	-	-
2	-	+	+	-
3	-	-	+	+
4	+	-	-	+

FULL STEP 2 PHASE-Ex.,WHEN FACING MOUNTING END (X)
DIMENSIONS ARE IN MILLIMETERS.
TOLERANCES AS BELOW:
DECIMALS ANGLES
X ±0.5 ±2°
X.X ±0.25
X.XX ±0.13
THIRD ANGLE PROJECTION

MOTOR CONNECTION			
PIN NO	BIPOLAR	LEADS	WINDING
1	A+	RED	
3	A-	GRY	
4	B+	YEL	
6	B-	GRN	

STEPPERONLINE®

STEPPER MOTOR

17N13S0404AF4-150RS

THIS DOCUMENT SHALL NOT BE REPRODUCED NOR SHALL THE INFORMATION CONTAINED HEREIN BE USED BY OR DISCLOSED TO OTHERS UNLESS EXPRESSLY AUTHORIZED IN BY WRITING STEPPERONLINE.

SIGNATURE		DATE
DRN	HW	7.22.2024
APVD	LDJ	7.22.2024

REV.	0	SCALE	1:1	DWG NO.	A3525
------	---	-------	-----	---------	-------