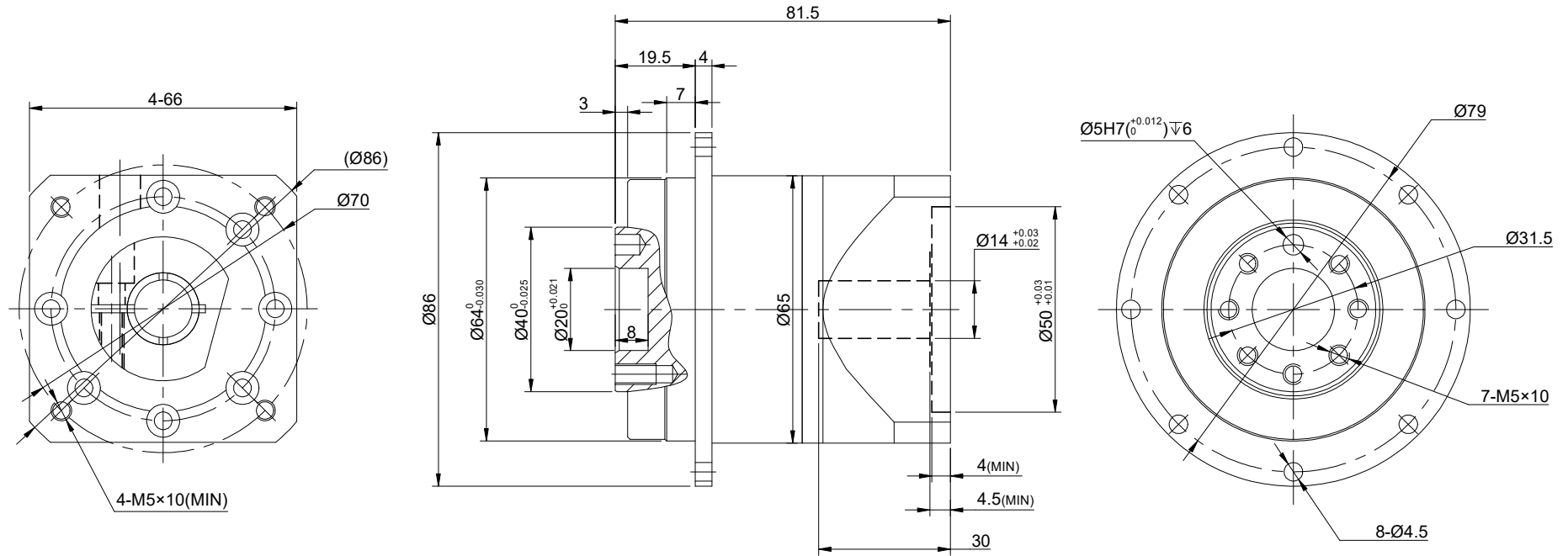


REV.	REVISION RECORD	BY	DATE
0	ORIGIN	LDJ	7.3.2024



SPECIFICATION	CONNECTION	VALUE
GEAR RATIO		10
EFFICIENCY		97%
BACKLASH@NO-LOAD(arcmin)		3
MAX.PERMISSIBLE TORQUE(Nm)[lb-in]		18.00[159.31]
MOMENT PERMISSIBLE TORQUE(Nm)[lb-in]		80.00[708.06]
SHAFT MAXIMUM AXIAL LOAD(N)		1050
MAX BENDING MOMENT(N)		125
GEARBOX MATCHING MOTOR'S INPUT SHAFT LENGTH (mm)		30MAX
RATED INPUT SPEED(RPM)		3000
MAX. INPUT SPEED(RPM)		6000
WEIGHT(KG)		1.4
WATERPROOF RATING		IP65
LIFE(h)		20000
WORKING TEMPERATURE		-10°C~+90°C[14°F~194°F]

DIMENSIONS ARE IN MILLIMETERS.
TOLERANCES AS BELOW:
DECIMALS ANGLES
X ± 0.5 $\pm 2^\circ$
X.X ± 0.25
X.XX ± 0.13

THIRD ANGLE PROJECTION



SIGNATURE

DATE

DRN

LDJ

7.2.2024

APVD

HW

7.3.2024

STEPPERONLINE®

GEARBOX

AD60-G10-D14

REV.	1	SCALE	1:1	DWG NO.	A3439
------	---	-------	-----	---------	-------