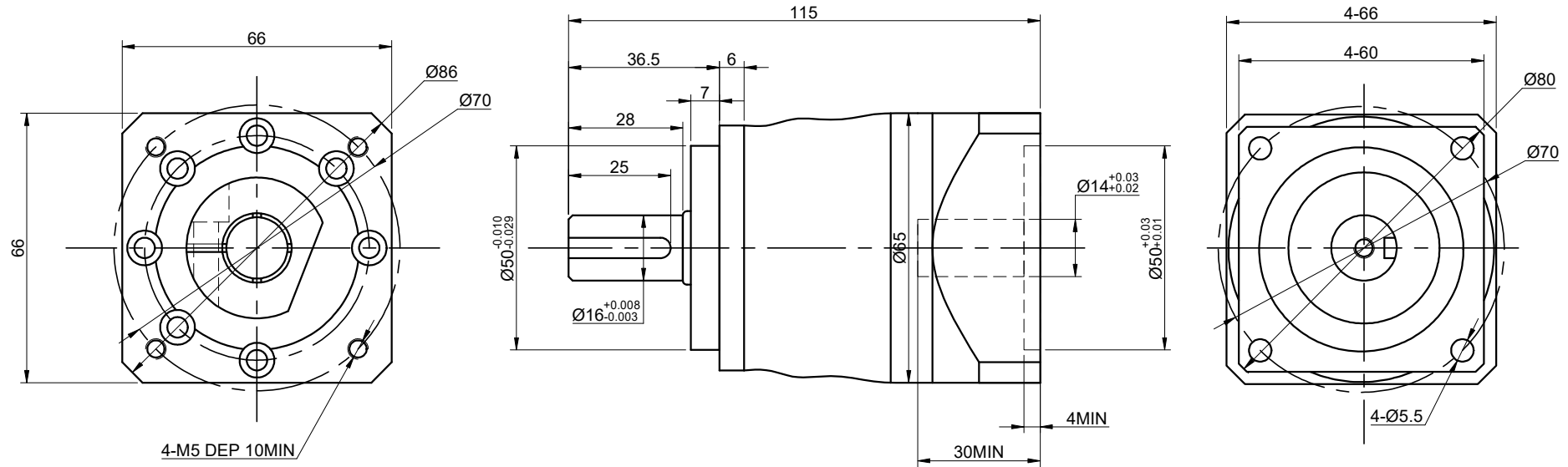


REV.	REVISION RECORD	BY	DATE
0	ORIGIN	LDJ	6.28.2024



SPECIFICATION	CONNECTION	VALUE
GEAR RATIO		5
EFFICIENCY		95%
BACKLASH@NO-LOAD(arcmin)		5
MAX.PERMISSIBLE TORQUE(Nm)[lb-in]		27.00[238.97]
MOMENT PERMISSIBLE TORQUE(Nm)[lb-in]		100.00[885.07]
SHAFT MAXIMUM AXIAL LOAD(N)		765
SHAFT MAXIMUM RADIAL LOAD(N)		1377
GEARBOX MATCHING MOTOR'S INPUT SHAFT LENGTH (mm)		30MAX
RATED INPUT SPEED(RPM)		3000
MAX. INPUT SPEED(RPM)		6000
WEIGHT(KG)		1.4
WATERPROOF RATING		IP65
LIFE(h)		20000
WORKING TEMPERATURE		-10°C~+90°C[14°F~194°F]

DIMENSIONS ARE IN MILLIMETERS.
 TOLERANCES AS BELOW:
 DECIMALS ANGLES
 X ±0.5 ±2°
 X.X ±0.25
 X.XX ±0.13

THIRD ANGLE PROJECTION		
SIGNATURE		DATE
DRN	LDJ	6.28.2024
APVD	HW	6.28.2024

STEPPERONLINE®

GEARBOX

AEP60-G5-D14

REV.	1	SCALE	1:1	DWG NO.	A3413
------	---	-------	-----	---------	-------