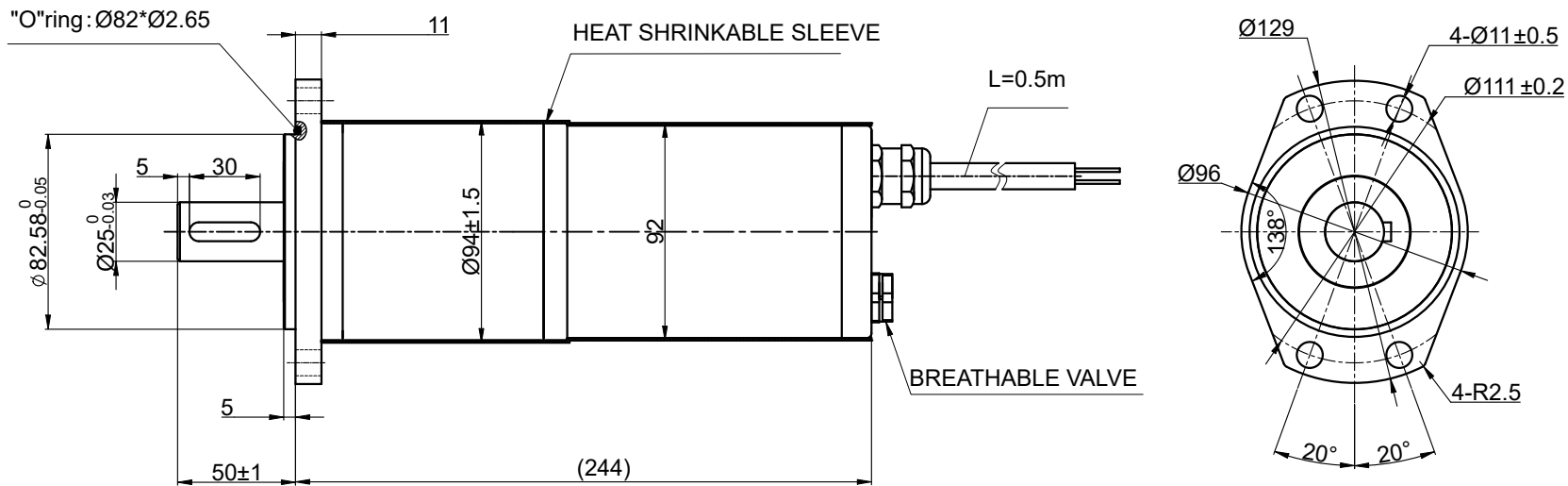
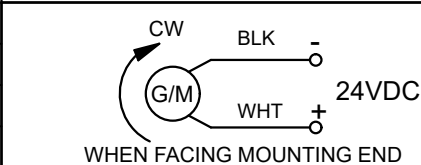


REV.	REVISION RECORD	BY	DATE
0	ORIGIN	HW	5.9.2024



SPECIFICATION	VALUE
RATED VOLTAGE(V)	24
RATED CURRENT(A)	≤11.0
PEAK CURRENT(A)	≤22.0
RATED POWER(W)	196
RATED SPEED w/o GEARBOX(RPM)	2200±10%
RATED TORQUE w/o GEARBOX(N·m)	0.85
PEAK TORQUE w/o GEARBOX(N·m)	1.7
RATIO	43
RATED SPEED w/ GEARBOX(RPM)	51±10%
RATED TORQUE w/ GEARBOX(N·m)	30
MAX.PERMISSIBLE TORQUE(N·m)	60
NOISE	≤68dB
PROTECT CLASS	IP66
AMBIENT TEMPERATURE	-40°C~80°C[-40°F~176°F]
INSULATION CLASS	F 155°C[311°F]
TEMPERATURE RISE	MAX.100K



DIMENSIONS ARE IN MILLIMETERS.
TOLERANCES AS BELOW:
DECIMALS ANGLES
X ±0.5 ±2°
X.X ±0.25
X.XX ±0.13

THIRD ANGLE PROJECTION

STEPPERONLINE®

DC GEARBOX MOTOR

PB94-92242200-G43

THIS DOCUMENT SHALL NOT BE REPRODUCED NOR SHALL THE INFORMATION CONTAINED HEREIN BE USED BY OR DISCLOSED TO OTHERS UNLESS EXPRESSLY AUTHORIZED IN BY WRITING STEPPERONLINE.

SIGNATURE		DATE
DRN	HW	5.9.2024
APVD	LDJ	5.9.2024