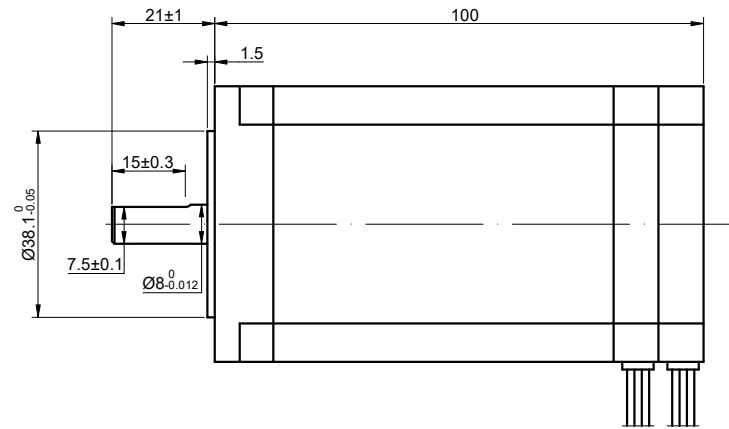
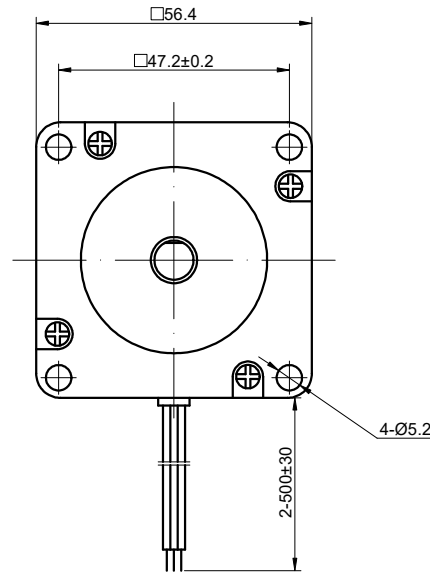


MODEL NO.	57BSA100-48-01	DWG NO.	A3140
-----------	----------------	---------	-------

CUSTOMER'S MODEL: NO MODEL  
END COVER COLOR: GRAY

REV.	REVISION RECORD	BY	DATE
0	ORIGIN	ZPJ	5.10.2024

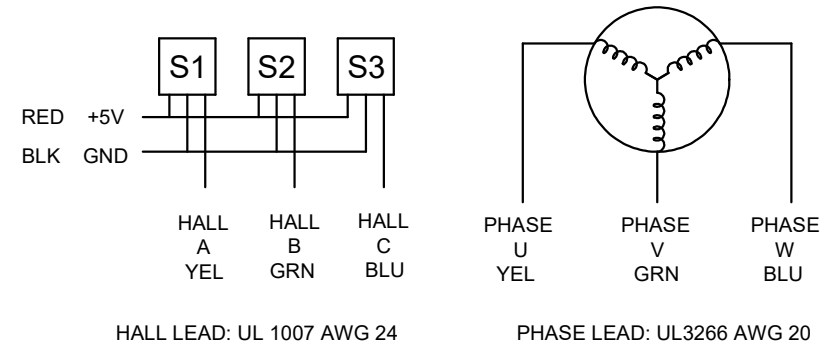


SPECIFICATION	VALUE
NO. of PHASES	3
NO. of POLES	8
RESISTANCE/PHASE(Ohms)@25°C	0.88±10%
INDUCTANCE/PHASE(mH)@1KHz	0.82±20%
RATED VOLTAGE(V)	48
RATED TORQUE(N.m)[lb-in]	0.60[5.31]
RATED POWER(W)	188
RATED SPEED(RPM)	3000±10%
RATED CURRENT(A)	5.40
NO LOAD SPEED(RPM)	3500±10%
WEIGHT(kg)	1.30
BACK EMF(V/krpm)	9.70±5%
SENSOR	HALL
AMBIENT TEMPERATURE	-10°C~50°C[14°F~122°F]
INSULATION CLASS	B 130°C[266°F]
TEMPERATURE RISE	MAX.80°C

COMMENT:  
1.INSULATION RESISTANCE (NORMAL TEMPERATURE AND HUMIDITY): 50 Mohm  
2.DIELECTRIC STRENGTH: AC1200V CUT OFF CURRENT 2mA FOR 1S

DIMENSIONS ARE IN MILLIMETERS.  
TOLERANCES AS BELOW:  
DECIMALS ANGLES  
X ±0.5 ±2°  
X.X ±0.25  
X.XX ±0.13

THIRD ANGLE PROJECTION



**STEPPERONLINE®**

**BRUSHLESS DC MOTOR**

57BSA100-48-01

THIS DOCUMENT SHALL NOT BE REPRODUCED NOR SHALL THE INFORMATION CONTAINED HEREIN BE USED BY OR DISCLOSED TO OTHERS UNLESS EXPRESSLY AUTHORIZED IN BY WRITING STEPPERONLINE.

SIGNATURE		DATE
DRN	ZPJ	5.10.2024
APVD	HW	5.10.2024

REV.	0	SCALE	1:1	DWG NO.	A3140
------	---	-------	-----	---------	-------