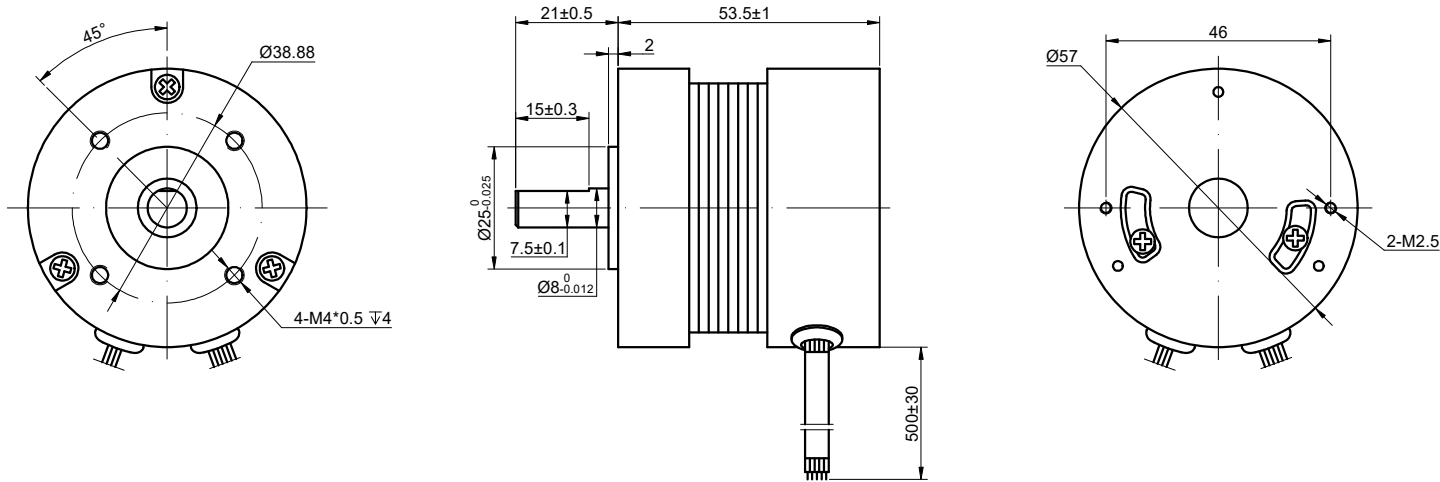


MODEL NO. 57BYA54-12-01 DWG NO. A3146

CUSTOMER'S MODEL: NO MODEL  
END COVER COLOR: GRAY

REV.	REVISION RECORD	BY	DATE
0	ORIGIN	ZPJ	5.8.2024

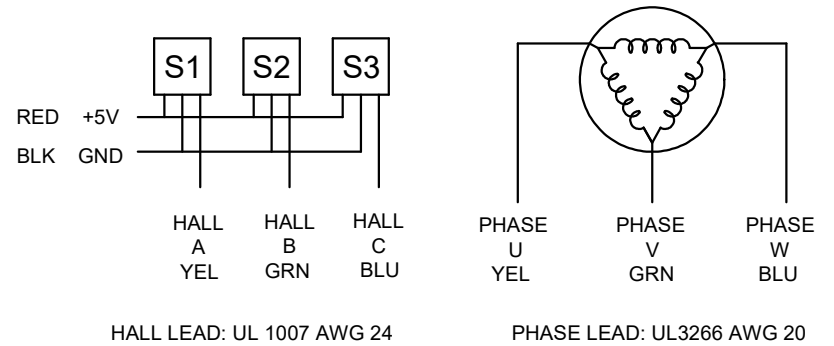


SPECIFICATION	VALUE
NO. of PHASES	3
NO. of POLES	4
RESISTANCE/PHASE(Ohms)@25°C	0.27±10%
INDUCTANCE/PHASE(mH)@1KHz	0.57±20%
RATED VOLTAGE(V)	12
RATED TORQUE(N.m)[lb-in]	0.16[1.42]
RATED POWER(W)	50
RATED SPEED(RPM)	3000±10%
RATED CURRENT(A)	5.90
NO LOAD SPEED(RPM)	4000±10%
WEIGHT(kg)	—
BACK EMF(V/krpm)	2.20±5%
SENSOR	HALL
AMBIENT TEMPERATURE	-10°C~50°C[14°F~122°F]
INSULATION CLASS	B 130°C[266°F]
TEMPERATURE RISE	MAX.80°C

COMMENT:  
1.INSULATION RESISTANCE (NORMAL TEMPERATURE AND HUMIDITY): 50 Mohm  
2.DIELECTRIC STRENGTH: AC600V CUT OFF CURRENT 2mA FOR 1S

DIMENSIONS ARE IN MILLIMETERS.  
TOLERANCES AS BELOW:  
DECIMALS ANGLES  
X ±0.5 ±2°  
X.X ±0.25  
X.XX ±0.13

THIRD ANGLE PROJECTION



THIS DOCUMENT SHALL NOT BE REPRODUCED NOR SHALL THE INFORMATION CONTAINED HEREIN BE USED BY OR DISCLOSED TO OTHERS UNLESS EXPRESSLY AUTHORIZED IN BY WRITING STEPPERONLINE.

SIGNATURE		DATE
DRN	ZPJ	5.8.2024
APVD	HW	5.8.2024

**STEPPERONLINE®**

**BRUSHLESS DC MOTOR**

**57BYA54-12-01**

REV.	0	SCALE	1:1	DWG NO.	A3146
------	---	-------	-----	---------	-------