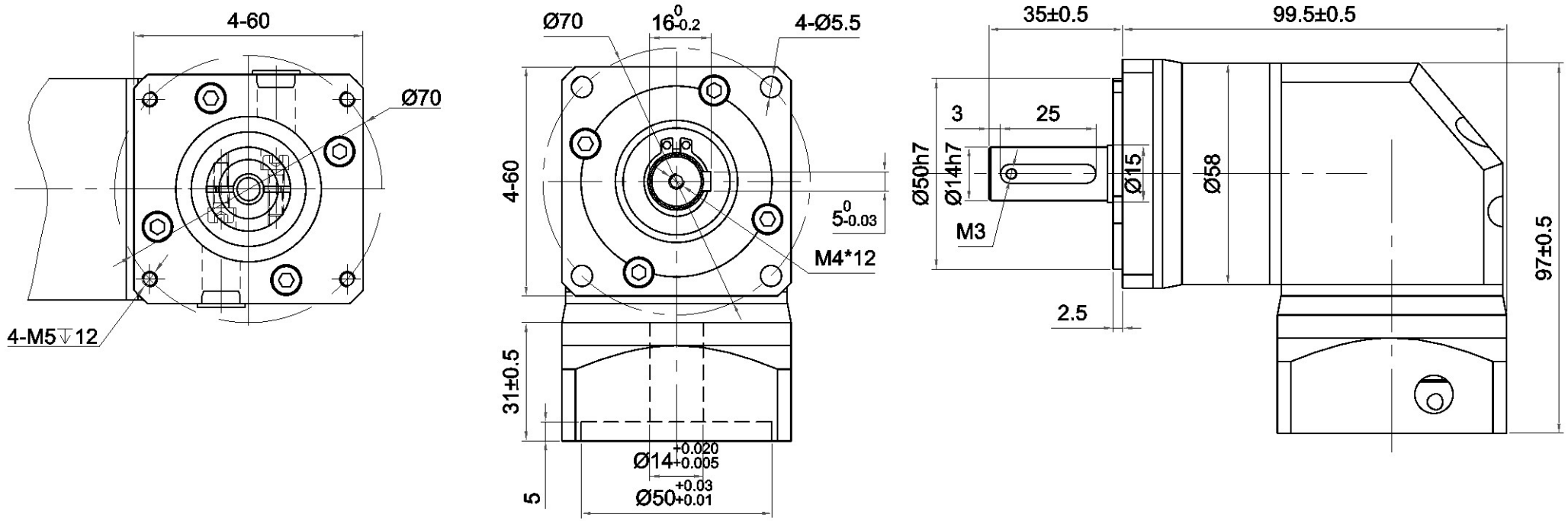


REV.	REVISION RECORD	BY	DATE
0	ORIGIN	LJ	8.18.2025



SPECIFICATION	CONNECTION	VALUE
GEAR RATIO		10
EFFICIENCY		96%
BACKLASH@NO-LOAD(arcmin)		<=10
MAX.PERMISSIBLE TORQUE(Nm)[lb-in]		10.00[88.51]
MOMENT PERMISSIBLE TORQUE(Nm)[lb-in]		20.00[177.01]
SHAFT MAXIMUM AXIAL LOAD(N)		230
SHAFT MAXIMUM RADIAL LOAD(N)		450
GEARBOX MATCHING MOTOR'S INPUT SHAFT LENGTH (mm)		12~31
RATED INPUT SPEED(RPM)		3000
MAX. INPUT SPEED(RPM)		6000
NOISE(dB)		<=55
WATERPROOF RATING		IP54
LIFE(h)		20000
WORKING TEMPERATURE		-20°C~150°C[-4°F~302°F]

DIMENSIONS ARE IN MILLIMETERS.
TOLERANCES AS BELOW:
DECIMALS ANGLES
X ± 0.5 $\pm 2^\circ$
X.X ± 0.25
X.XX ± 0.13

THIRD ANGLE PROJECTION

SIGNATURE DATE

DRN LJ 8.18.2025

APVD MYX 8.18.2025

STEPPERONLINE®

GEARBOX

RTG60-G10

REV. 1 SCALE 1:1 DWG NO. A4919